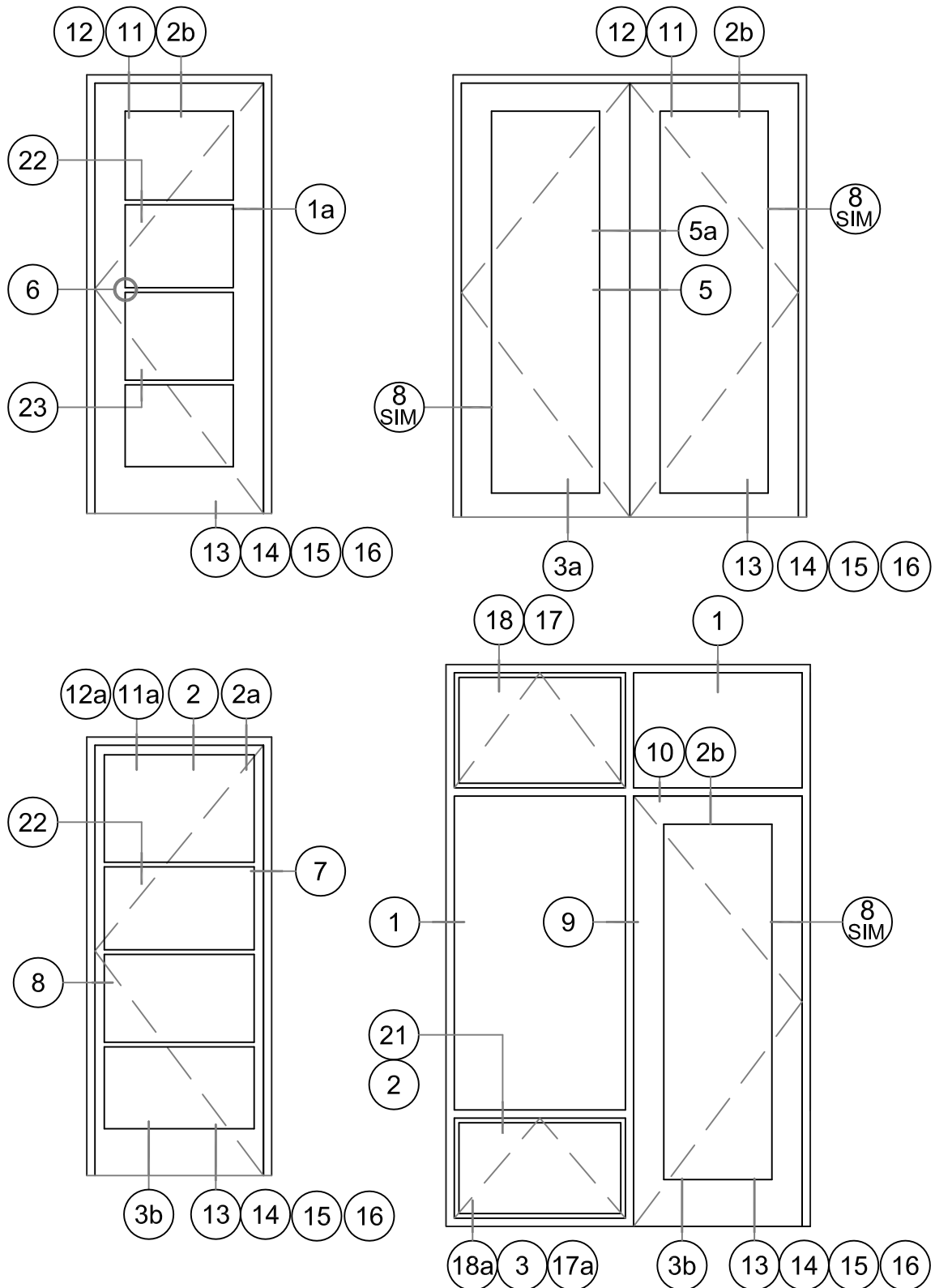
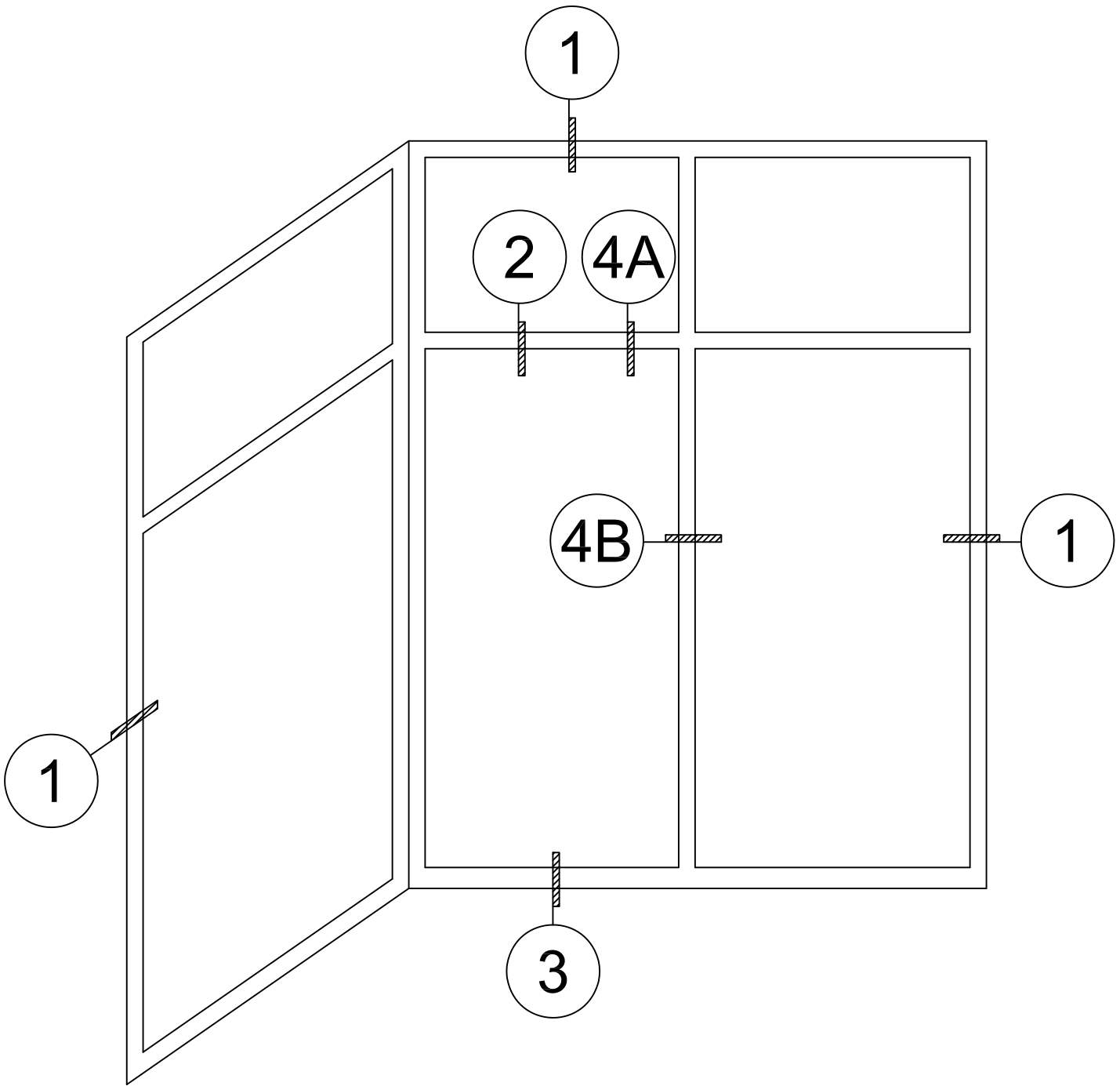


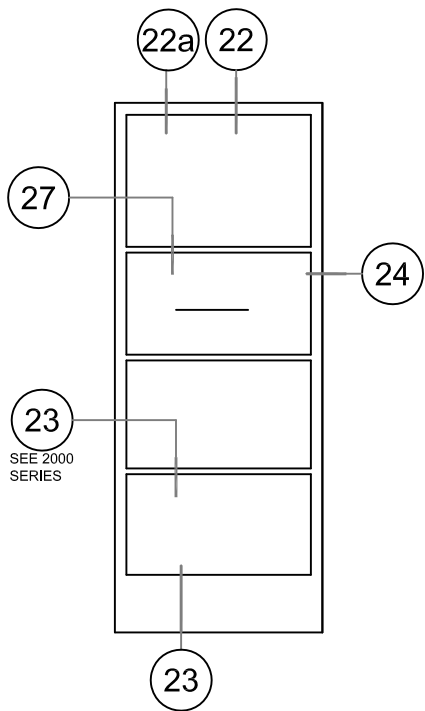
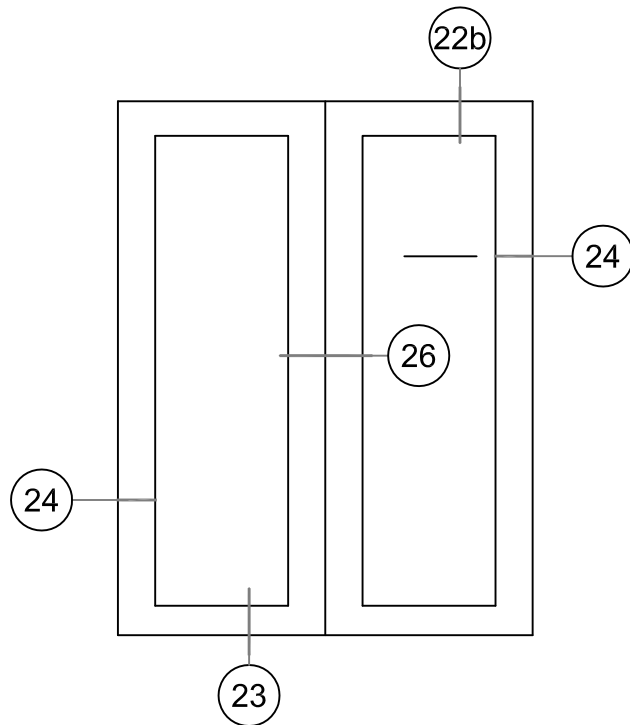
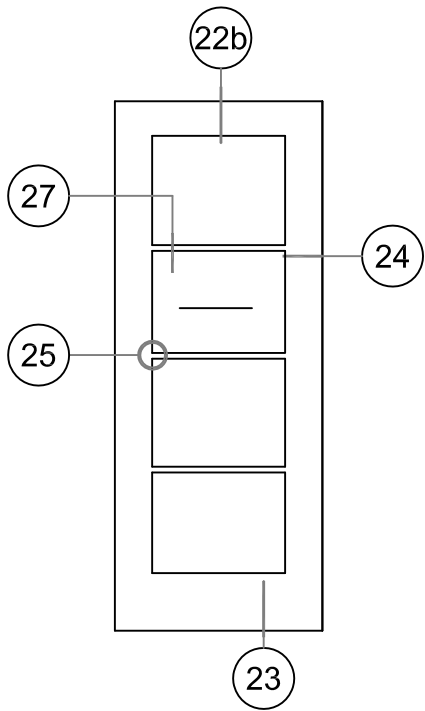
2000 SERIES 2" X 4- $\frac{1}{2}$ " NAIL ON WINDOW WITH 1" GLAZING
 2001 SERIES 2" X 4- $\frac{1}{2}$ " EQUAL LEG WINDOW WITH 1" GLAZING



2000 SERIES 2" X 4- $\frac{1}{2}$ " NAIL ON WINDOW WITH 1" GLAZING
2001 SERIES 2" X 4- $\frac{1}{2}$ " EQUAL LEG WINDOW WITH 1" GLAZING



2000 SERIES BARN DOOR



SEE 2000 SERIES

NAIL-FIN
NOT USED AT
2001 SERIES

4 1/2"

2 1/16"

1 HEAD / JAMB
SIM. AT FIXED

2 HORIZONTAL
MULLION

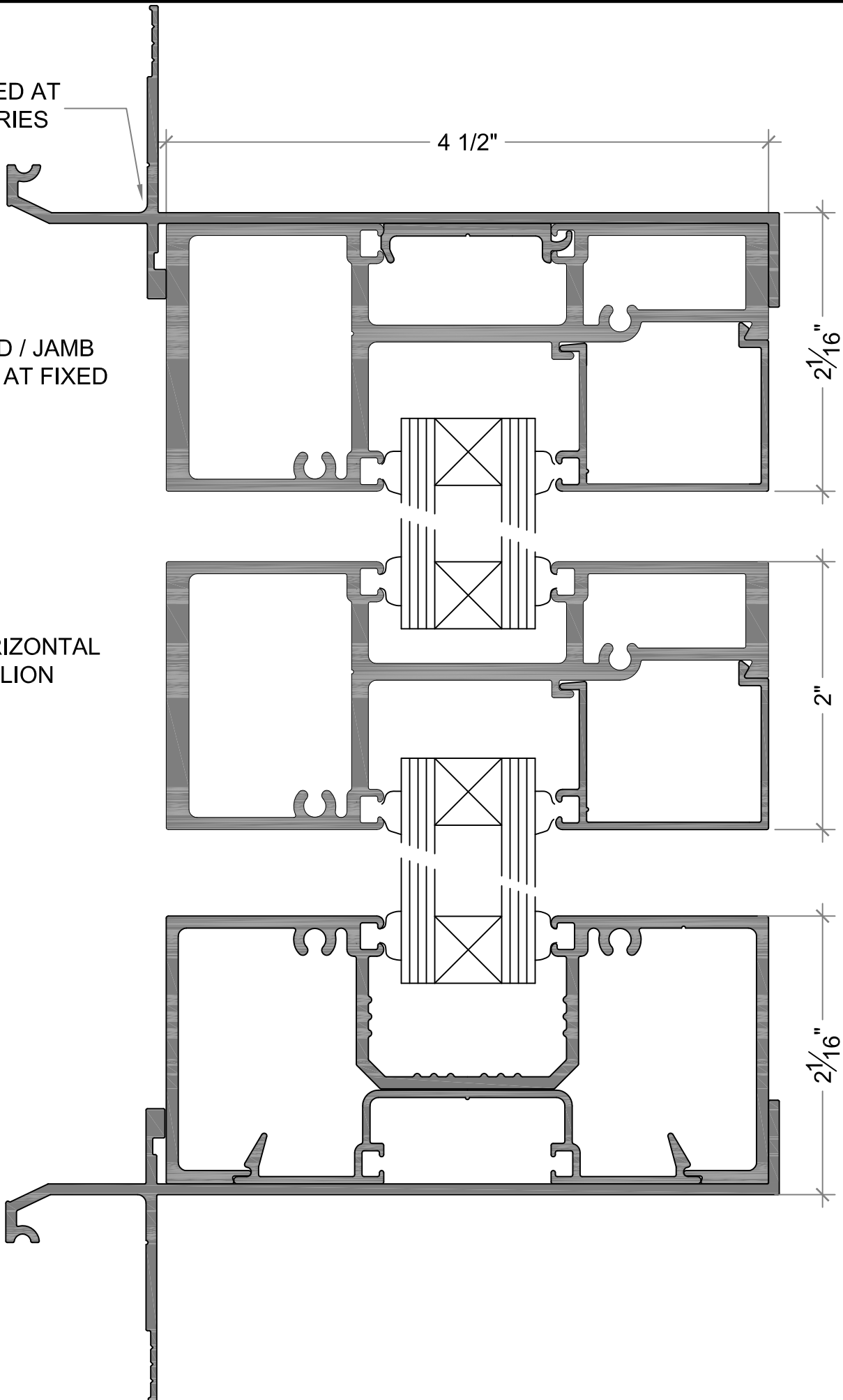
2"

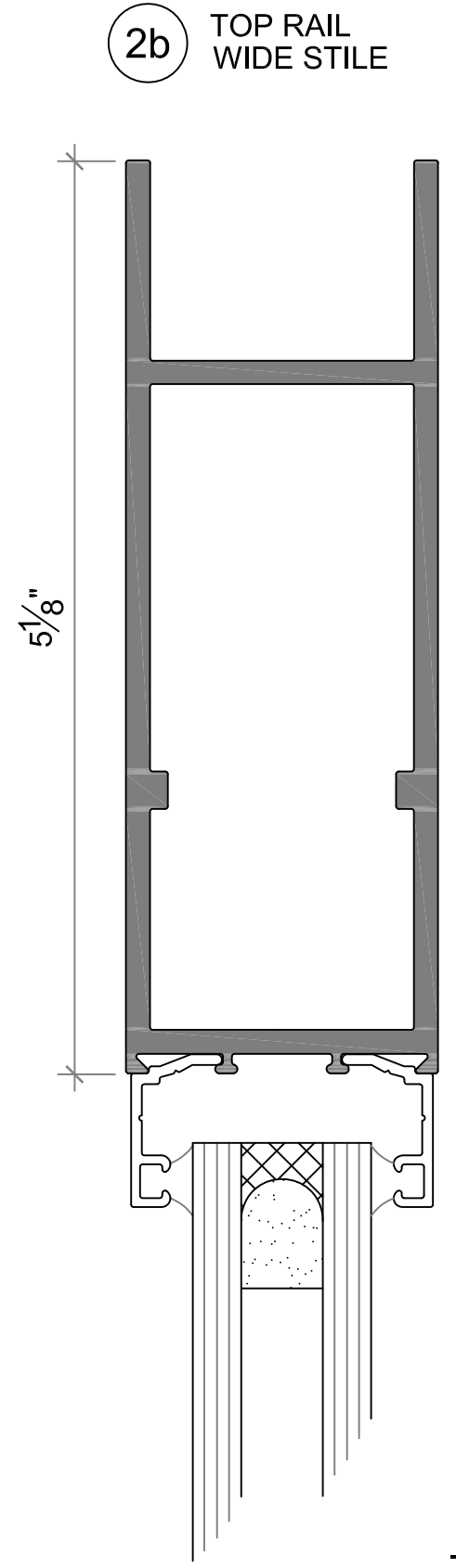
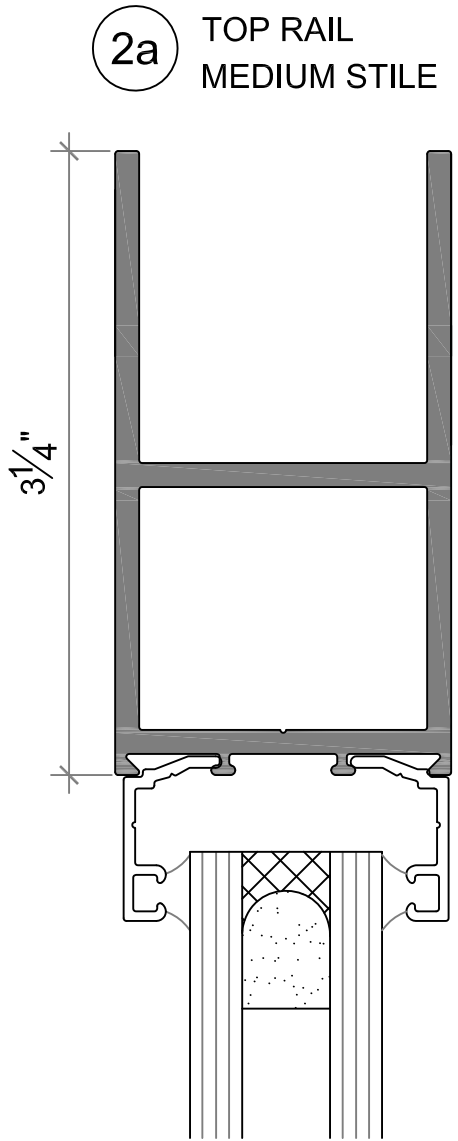
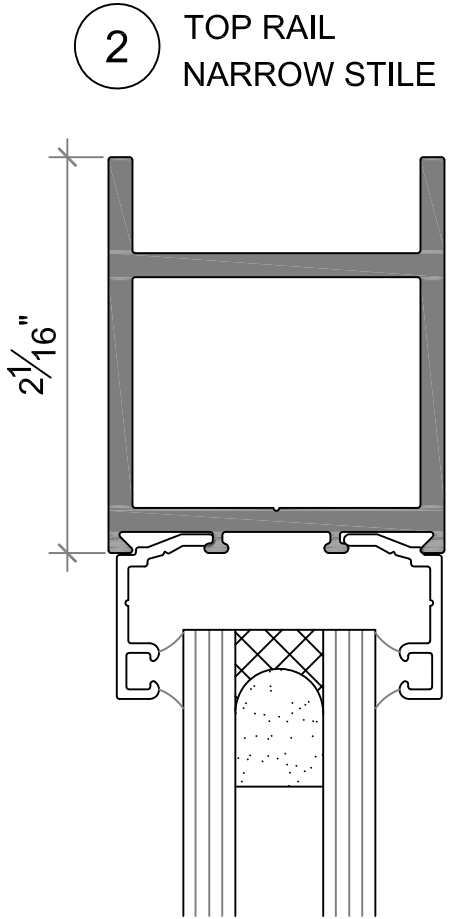
3 SILL

2 1/16"

2000 SERIES NAIL ON FIXED WINDOWS

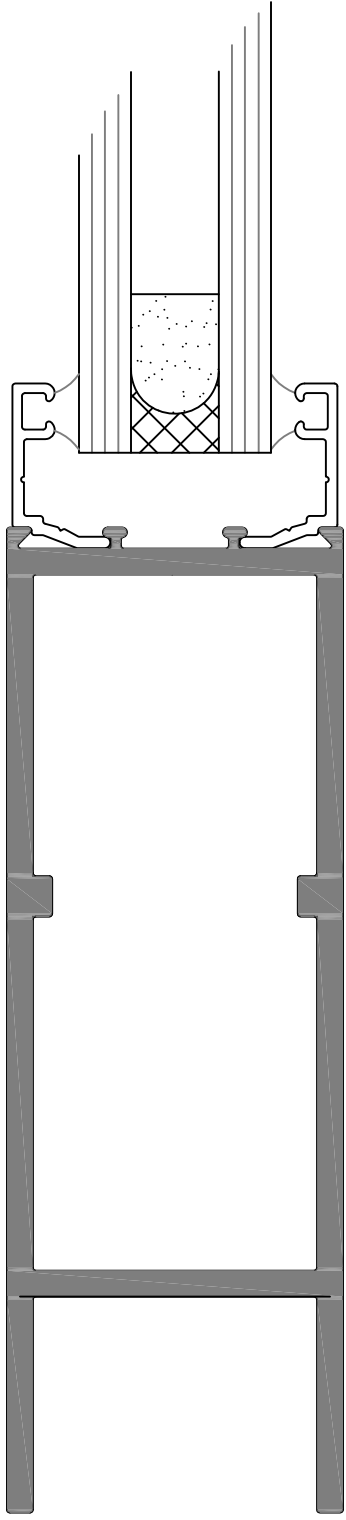
BONELLI
ENTERPRISES





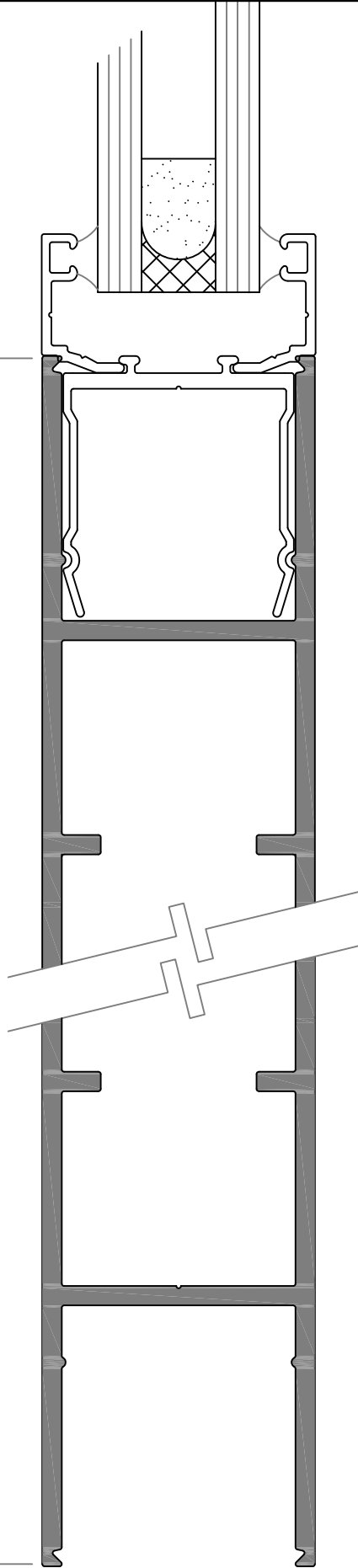
2000 SERIES DOOR PANEL TOP RAILS

* 3-1/8" AT NARROW OR 5-1/8" AT MEDIUM AND WIDE STILE *



3a BOTTOM RAIL WIDE STILE

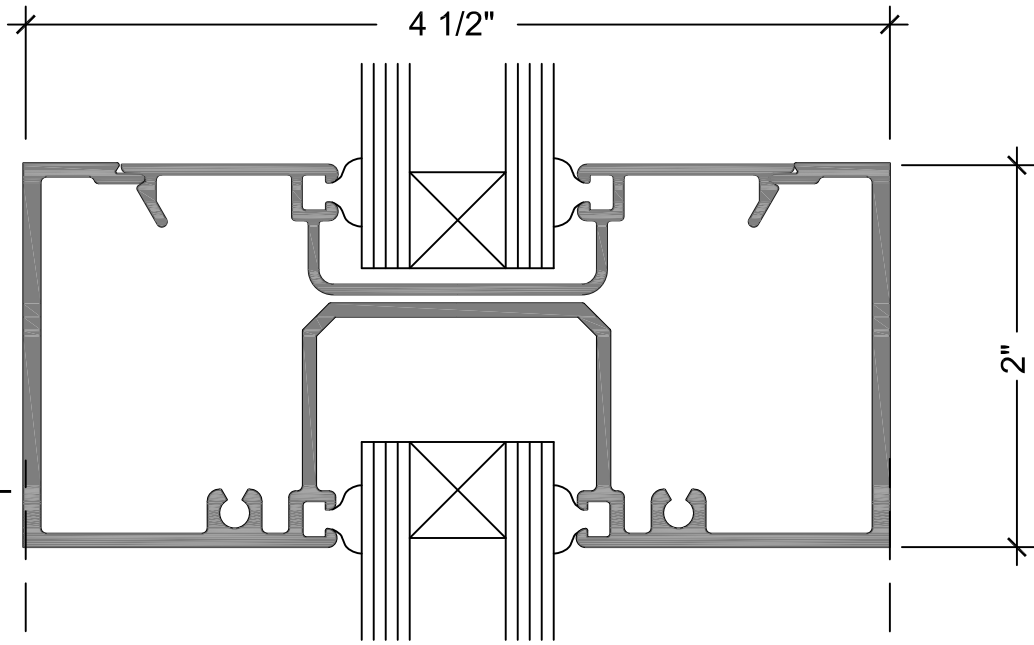
10" KICKPLATE



3b 10" KICKPLATE

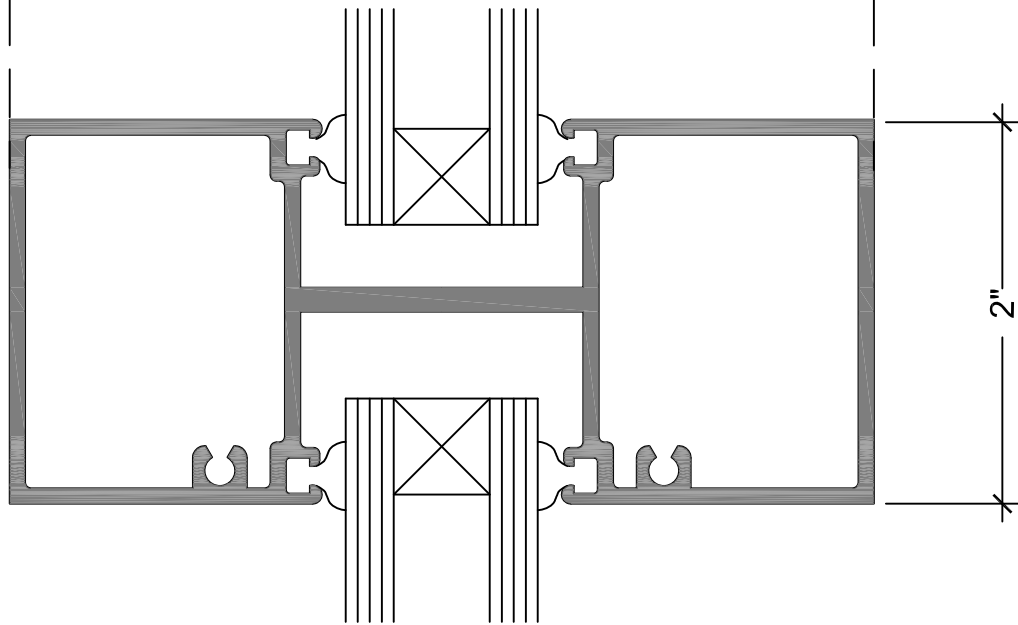
2000 SERIES DOOR BOTTOM RAILS

BONELLI
ENTERPRISES



4a

HORIZONTAL
MULLION



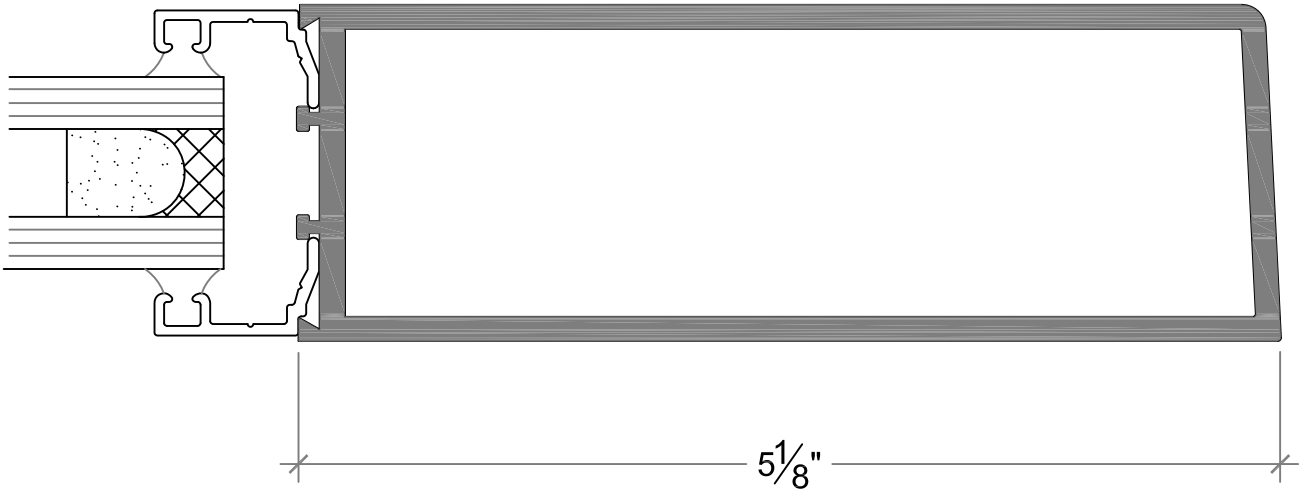
4b

HIGH LOAD
HORIZONTAL
& VERTICAL
MULLION

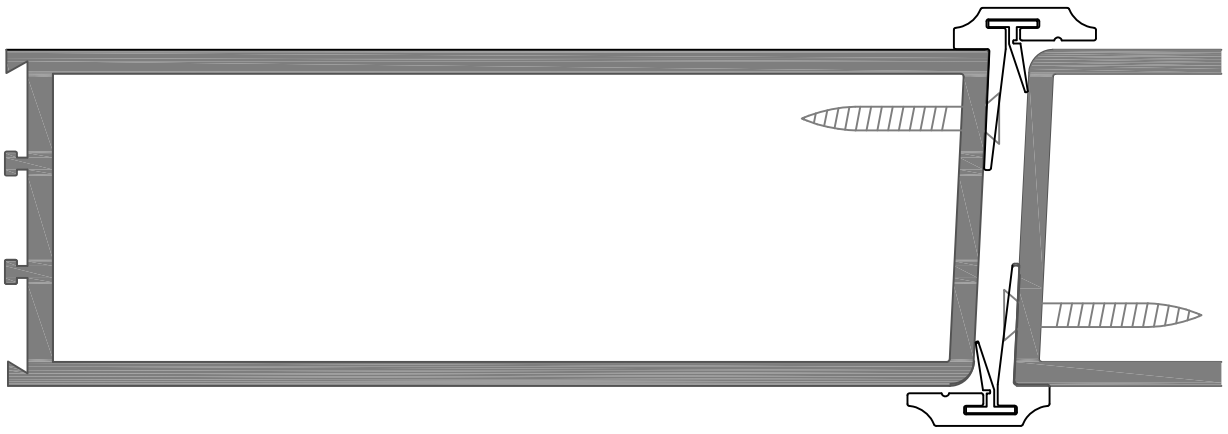
2000 SERIES WINDOWS

BONELLI
ENTERPRISES

1a WIDE STILE

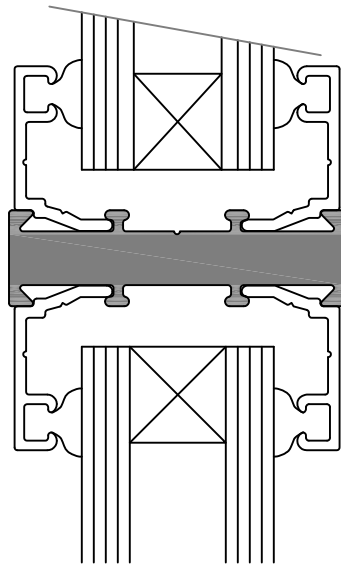
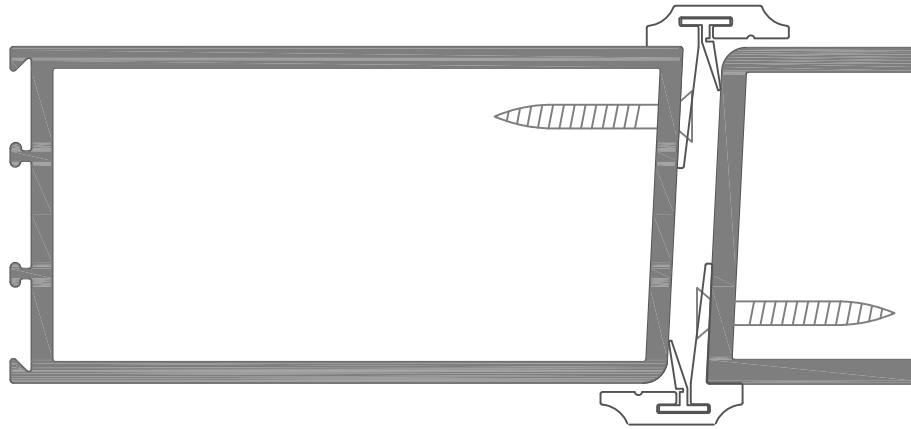


5 WIDE STILE WITH BONELLI ASTRAGAL AT MEETING RAIL



2000 SERIES WIDE STILE DOORS

5a MEDIUM STILE WITH BONELLI ASTRAGAL
AT MEETING RAIL

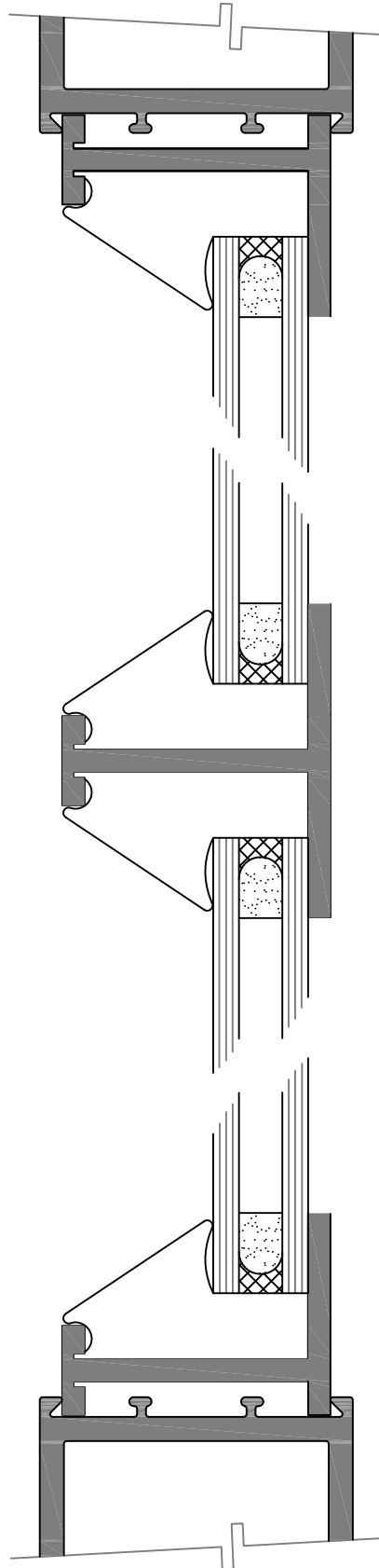


23 2000 SERIES MUNTIN BAR

6 DOOR GLAZING AT
TRUE DIVIDED LIGHT

22 700 SERIES T-BAR
(1³/₄" FACE)

6 700 SERIES T-BAR



2000 SERIES TRUE DIVIDED LITE DOORS

7

LOCK JAMB WITH
DOOR HANDLE

4 1/2"

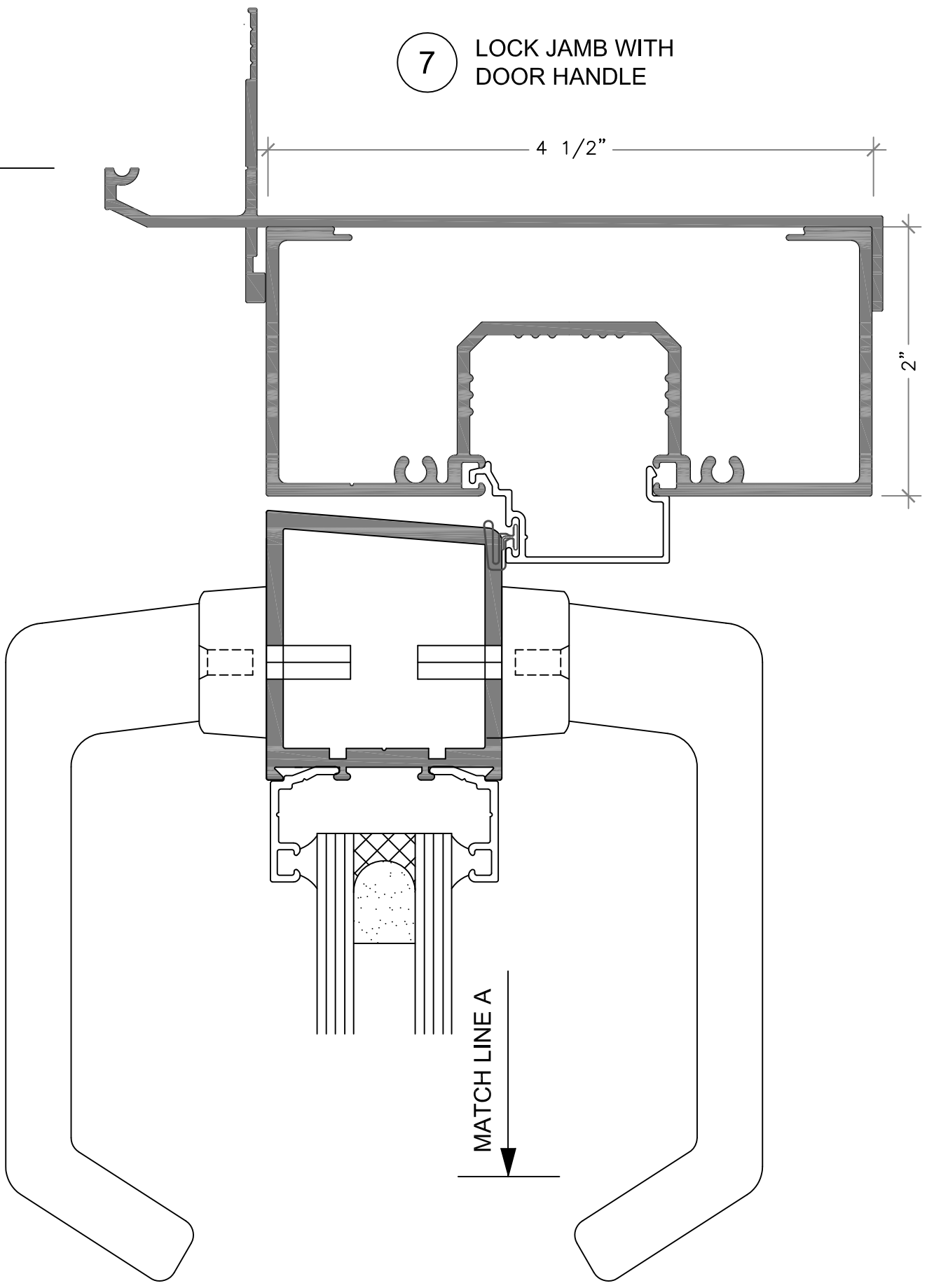
2"

ROUGH OPENING

MATCH LINE A

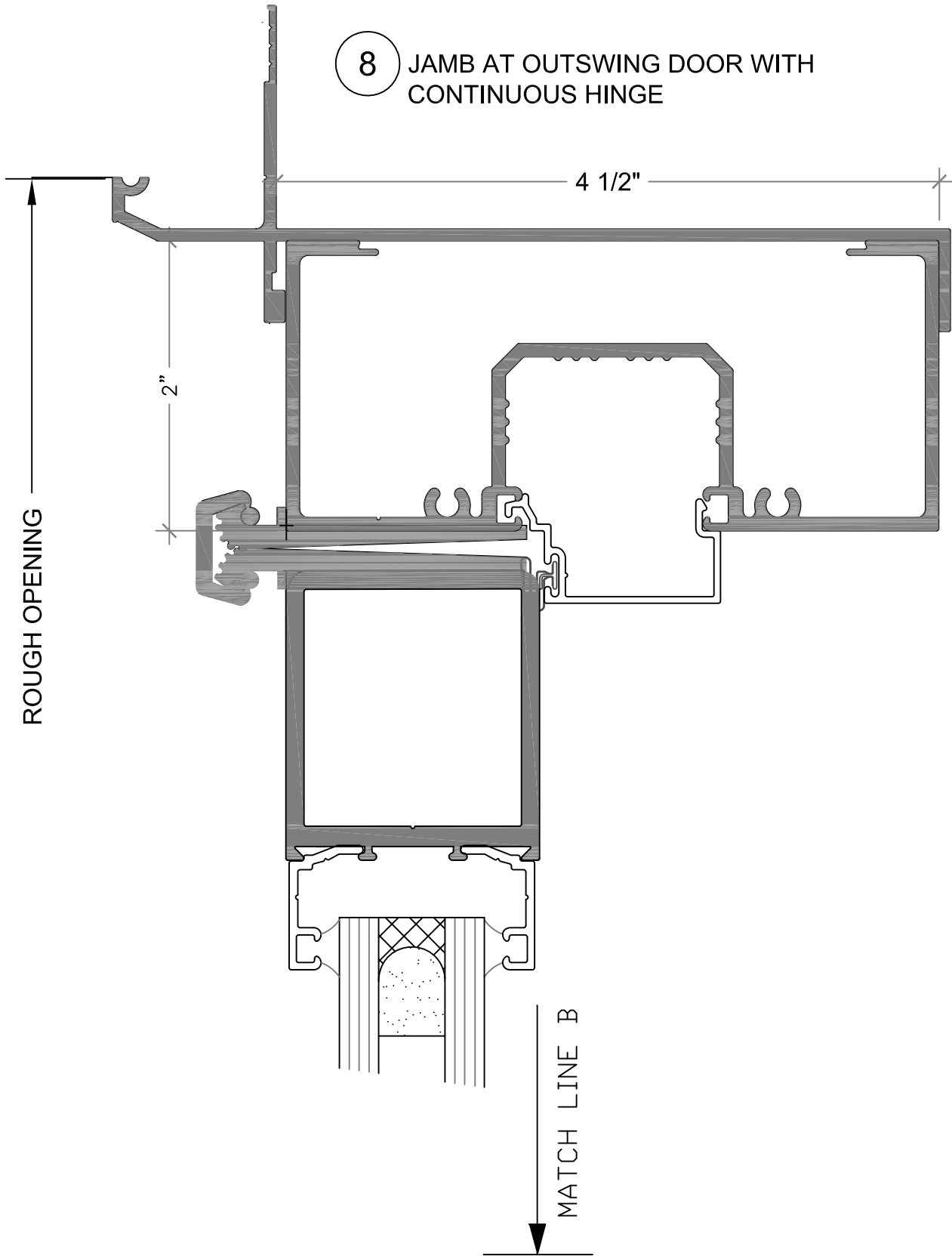
2000 SERIES NARROW LOCK STILE

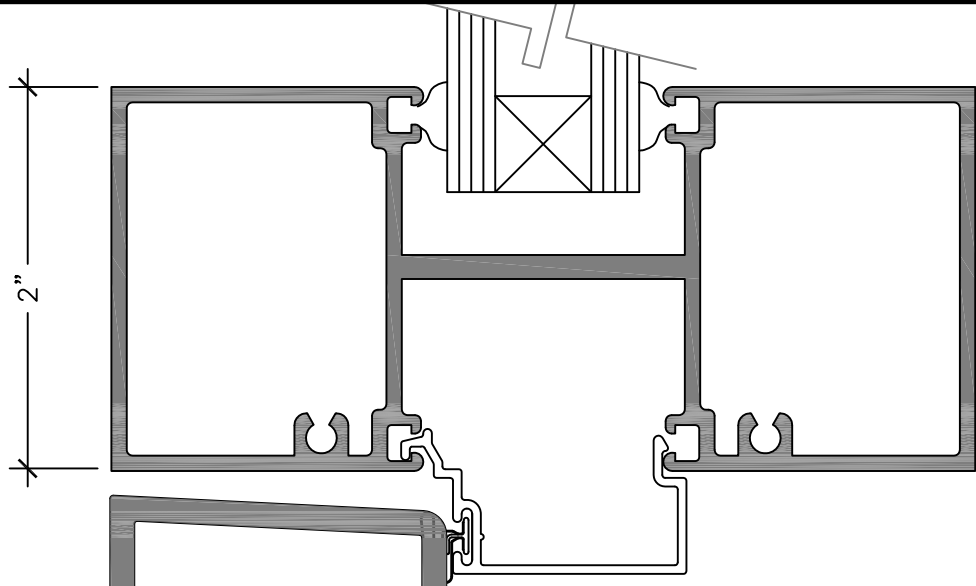
BONELLI
ENTERPRISES



8

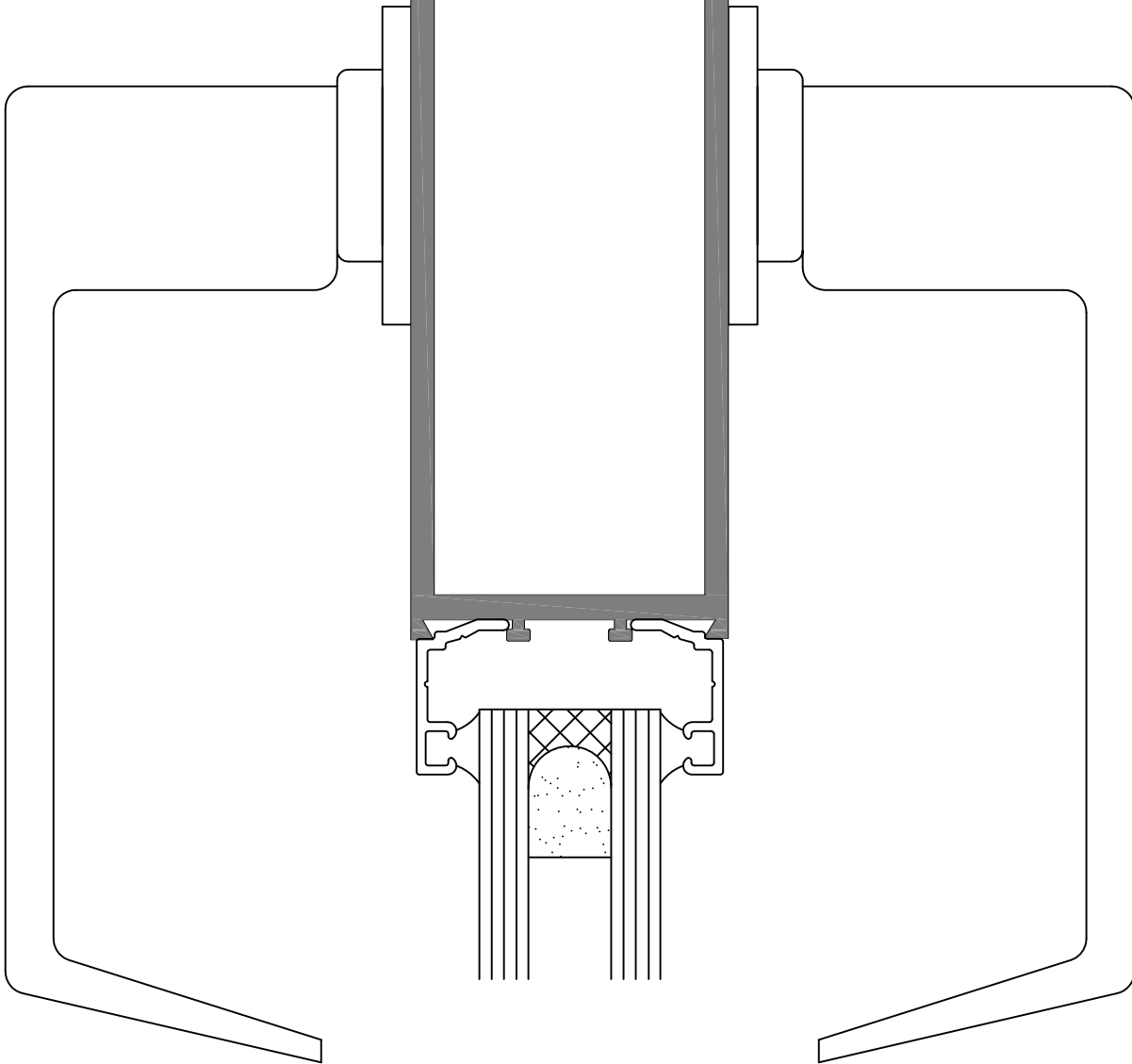
JAMB AT OUTSWING DOOR WITH
CONTINUOUS HINGE





9

DOOR JAMB AT
GLASS SIDELIGHT



2000 SERIES WIDE STILE DOOR

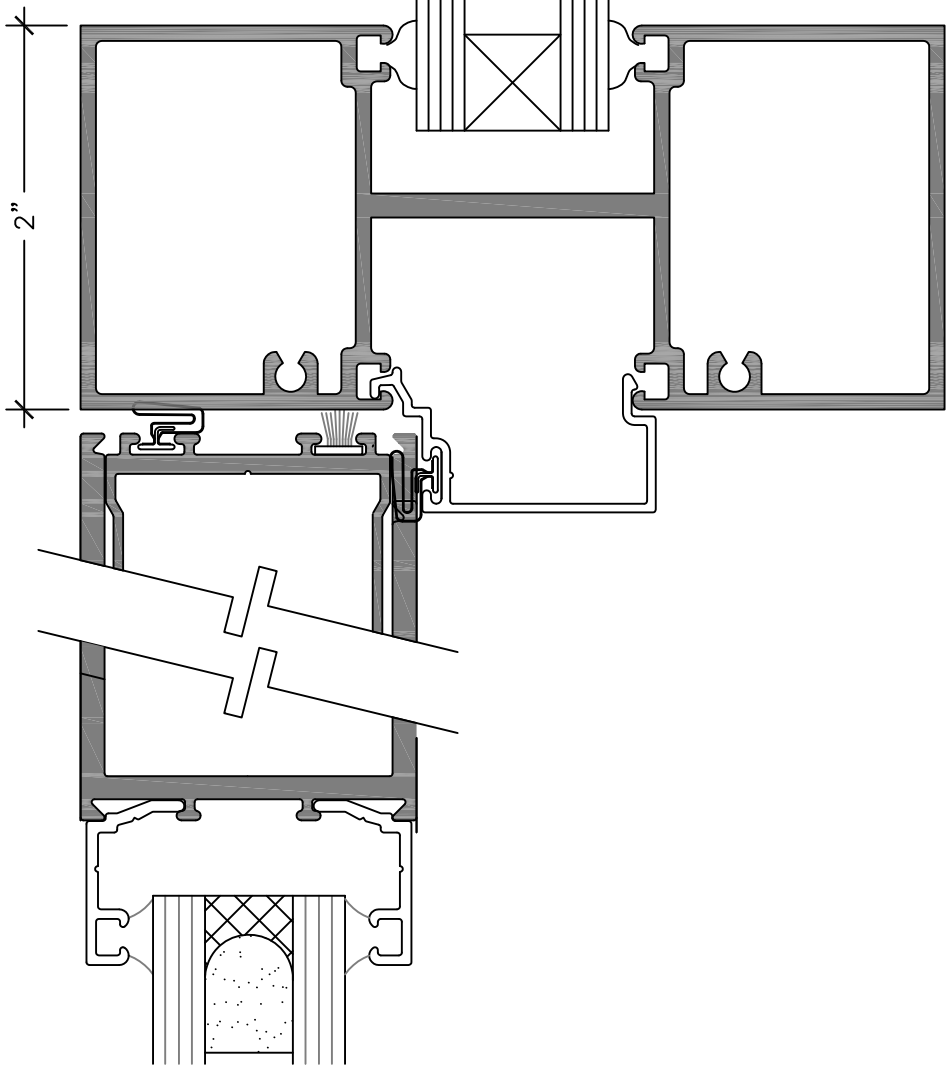
BONELLI
ENTERPRISES

NAIL-FIN
NOT USED AT
2001 SERIES

4 1/2"

2 1/16"

1 HEAD/JAMB
SIM.



10 TRANSOM

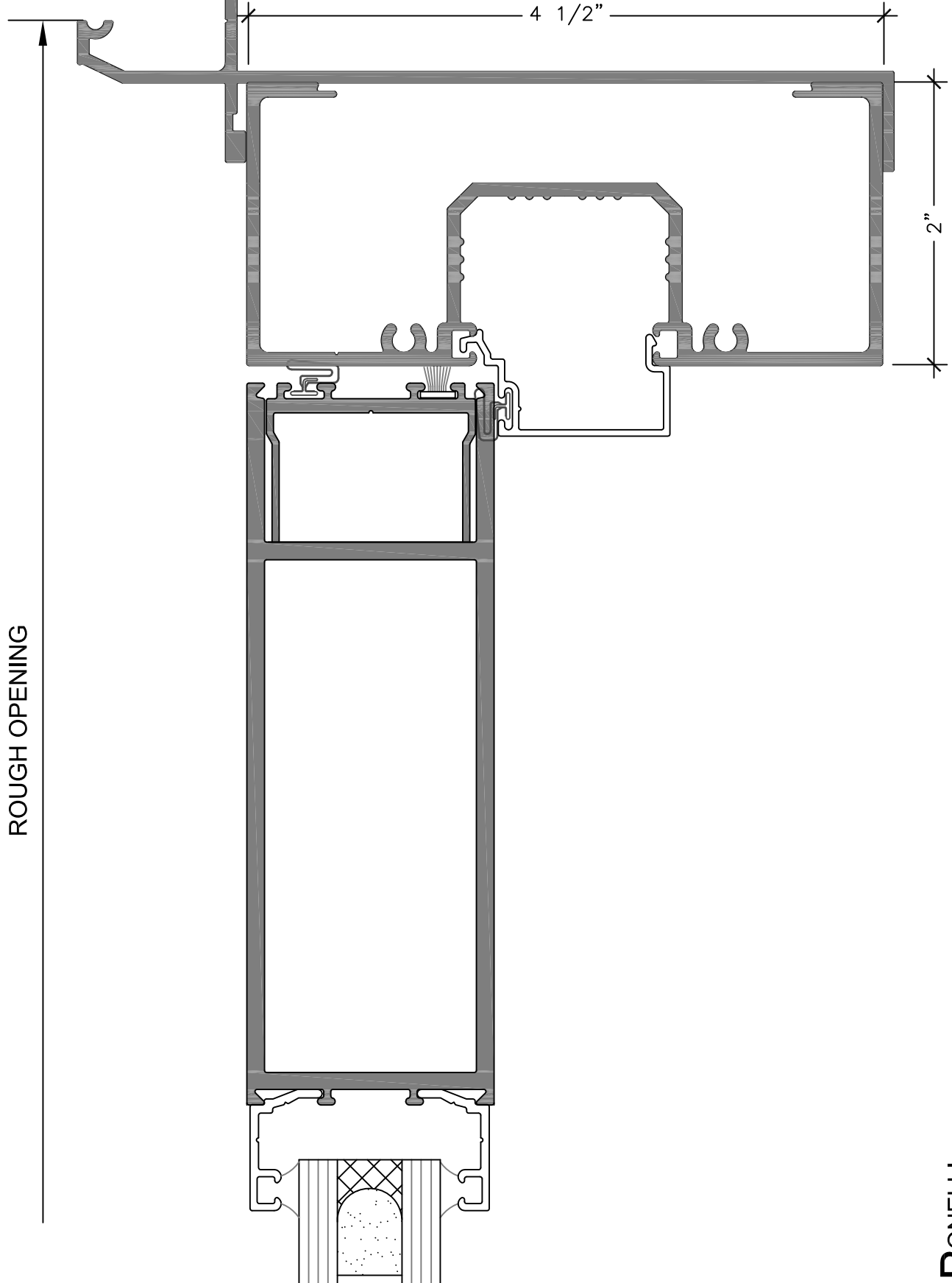
2"

2000 SERIES WINDOW AND DOOR

BONELLI
ENTERPRISES

11

HEAD/JAMB SIM. OF OUTSWING
WIDE STILE



ROUGH OPENING

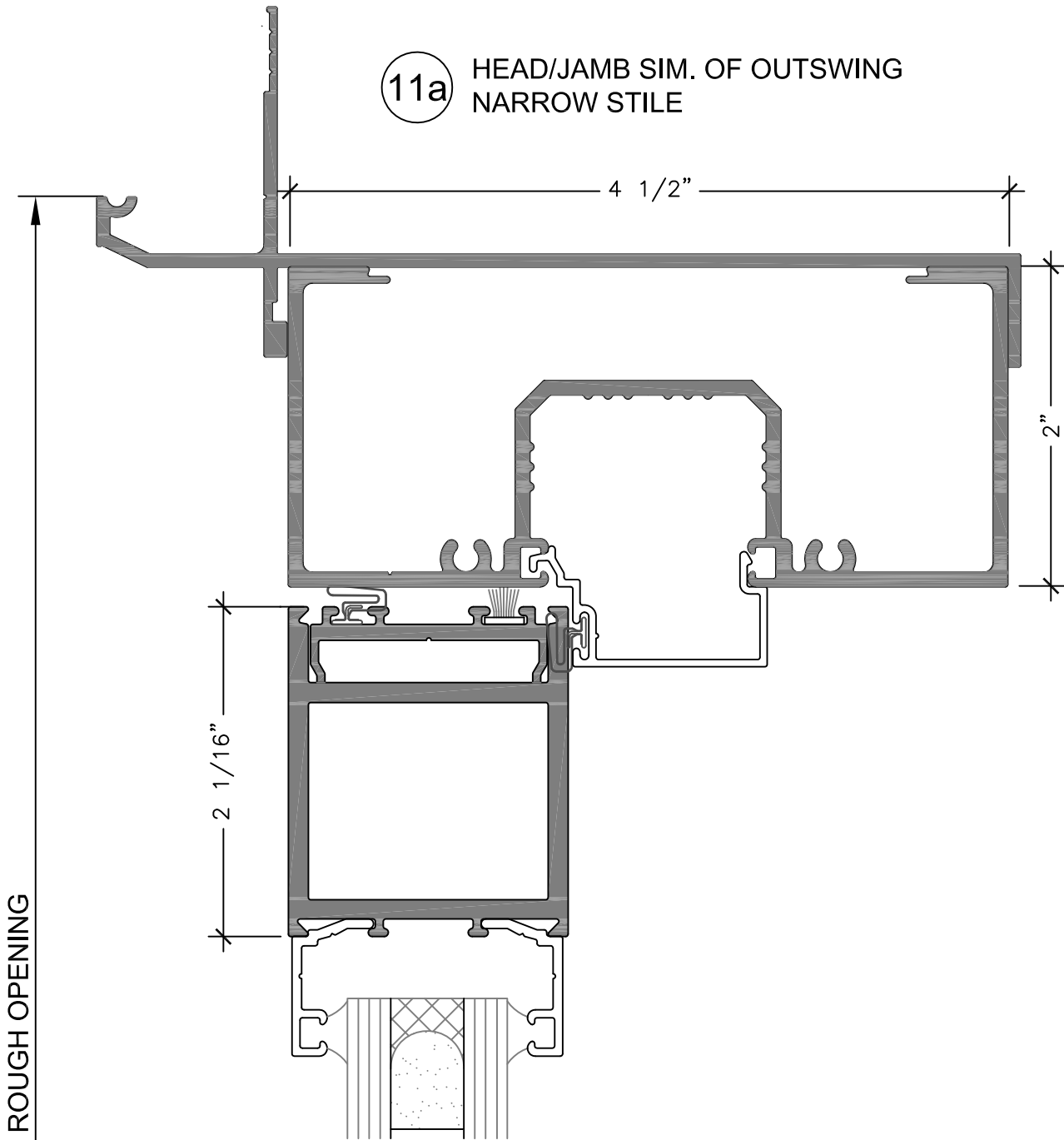
4 1/2"

2"

2000 SERIES WIDE STILE DOOR

BONELLI
ENTERPRISES

11a HEAD/JAMB SIM. OF OUTSWING
NARROW STILE



ROUGH OPENING

12 HEAD/JAMB SIM. OF INSWING
WIDE STILE

4 1/2"

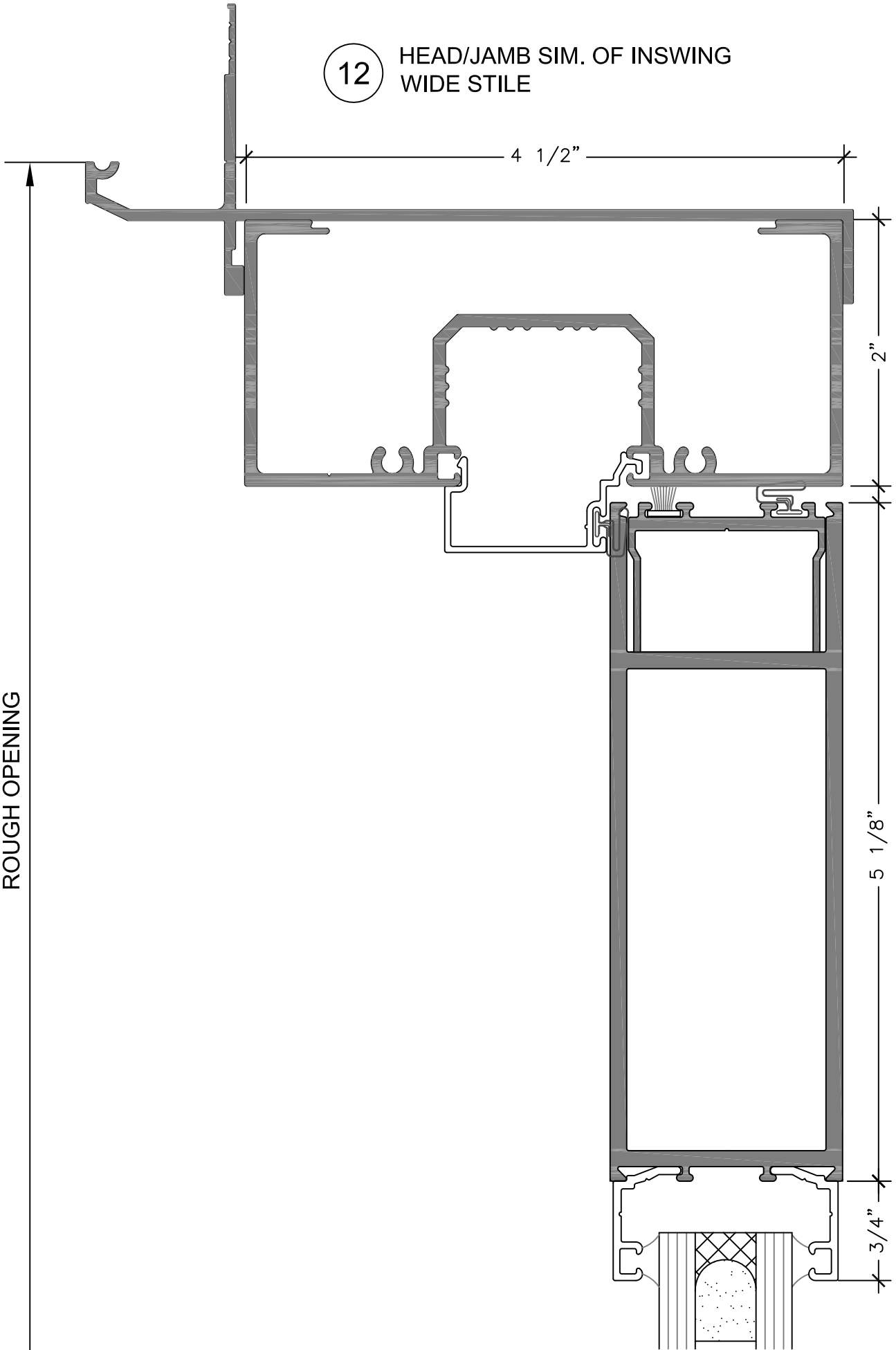
2"

5 1/8"

3/4"

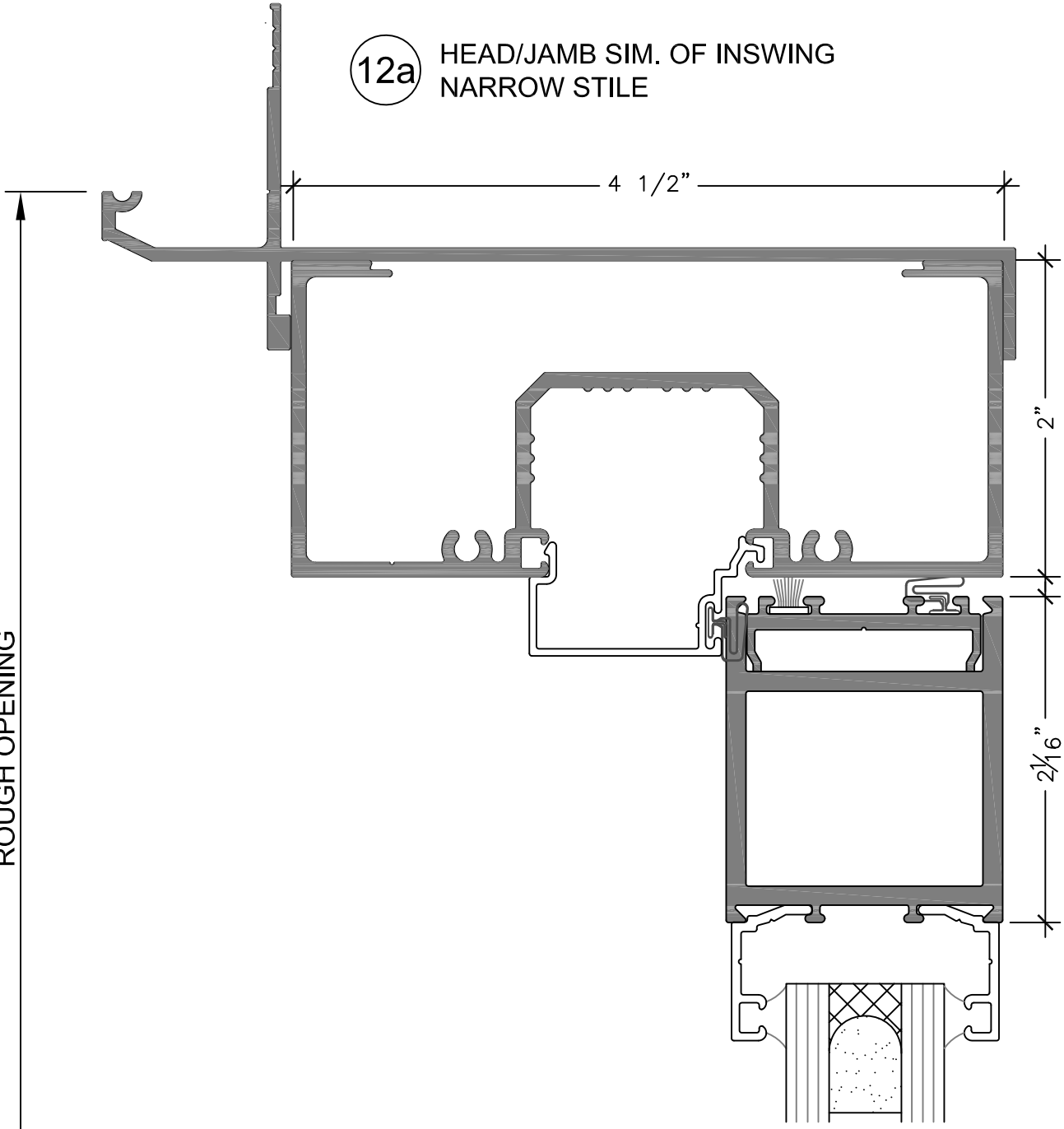
2000 SERIES DOOR

BONELLI
ENTERPRISES



ROUGH OPENING

12a HEAD/JAMB SIM. OF INSWING
NARROW STILE



BONELLI
ENTERPRISES

2000 SERIES DOOR

ROUGH OPENING

LINE OF PERIMETER FRAME

LINE OF DOOR STOP

10" KICKPLATE

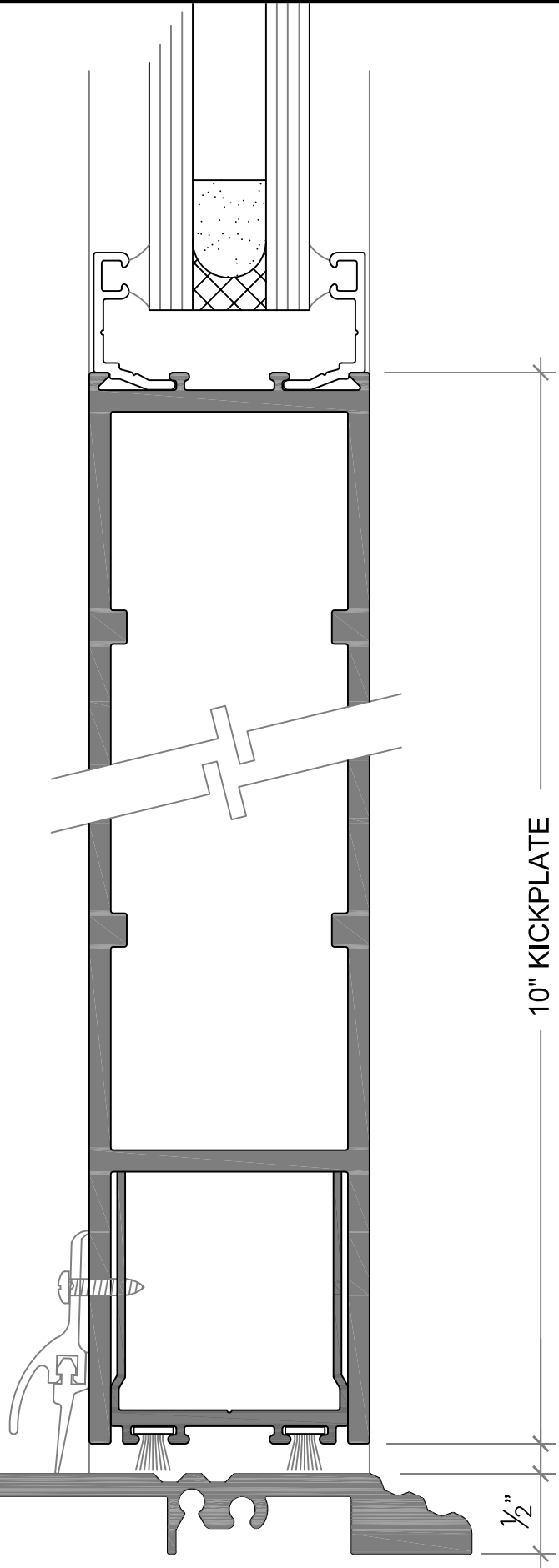
$\frac{1}{2}$ "
 $\frac{3}{16}$ "

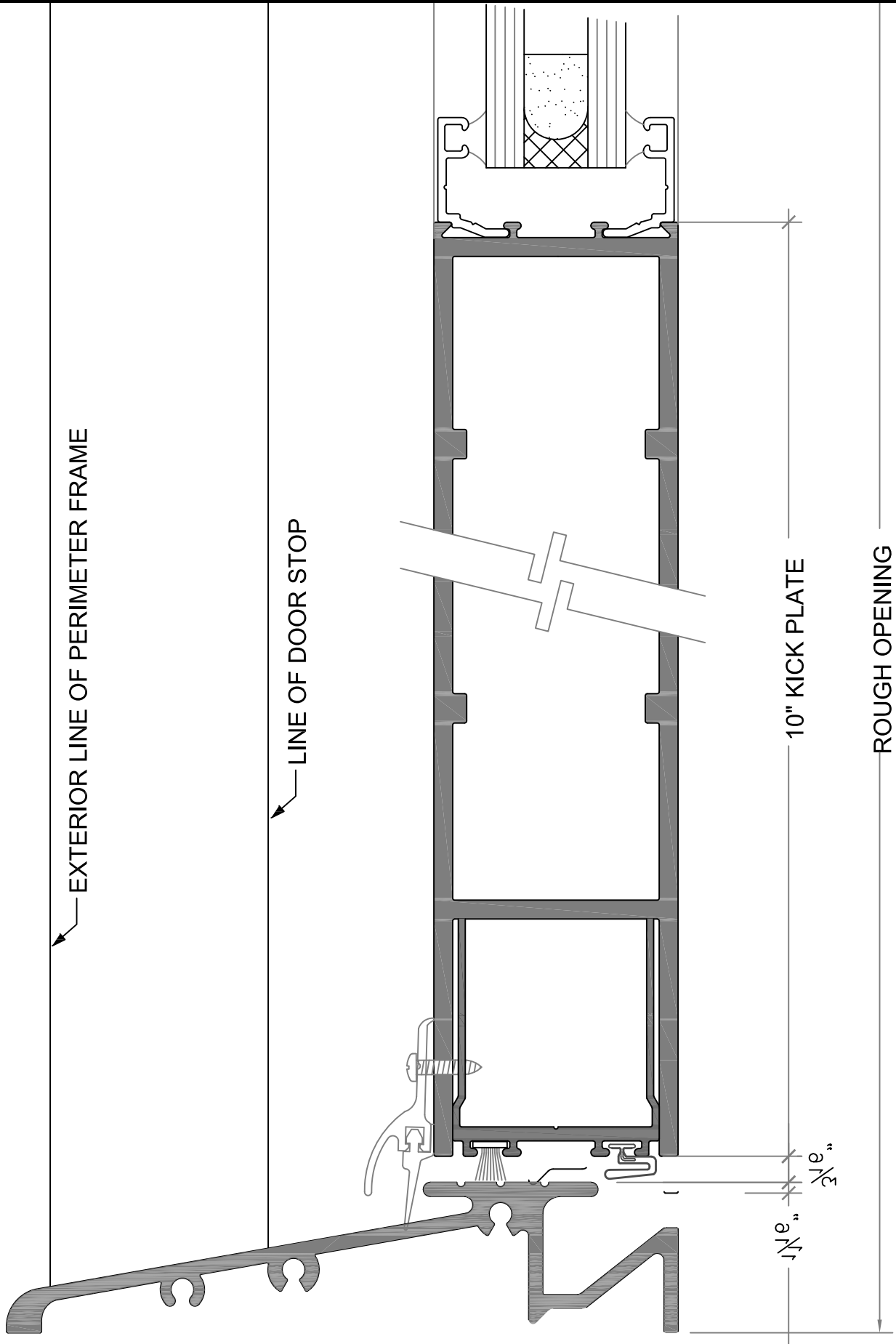
2000 SERIES DOOR

BONELLI
ENTERPRISES

13

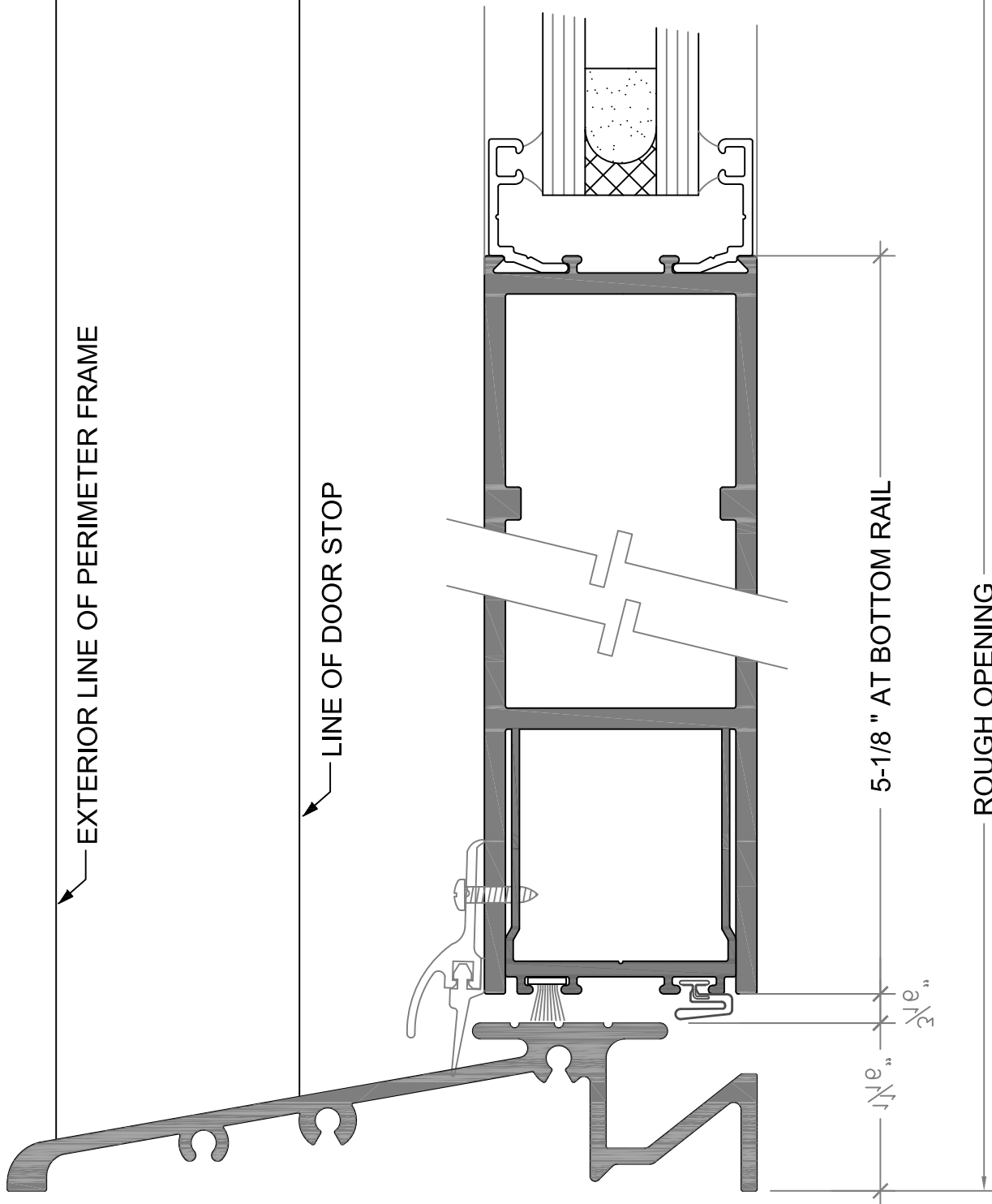
SILL - ADA COMPLIANT THRESHOLD AT INSWING DOOR





14 THRESHOLD #1145 AT INSWING DOOR

2000 SERIES DOOR



EXTERIOR LINE OF PERIMETER FRAME

LINE OF DOOR STOP

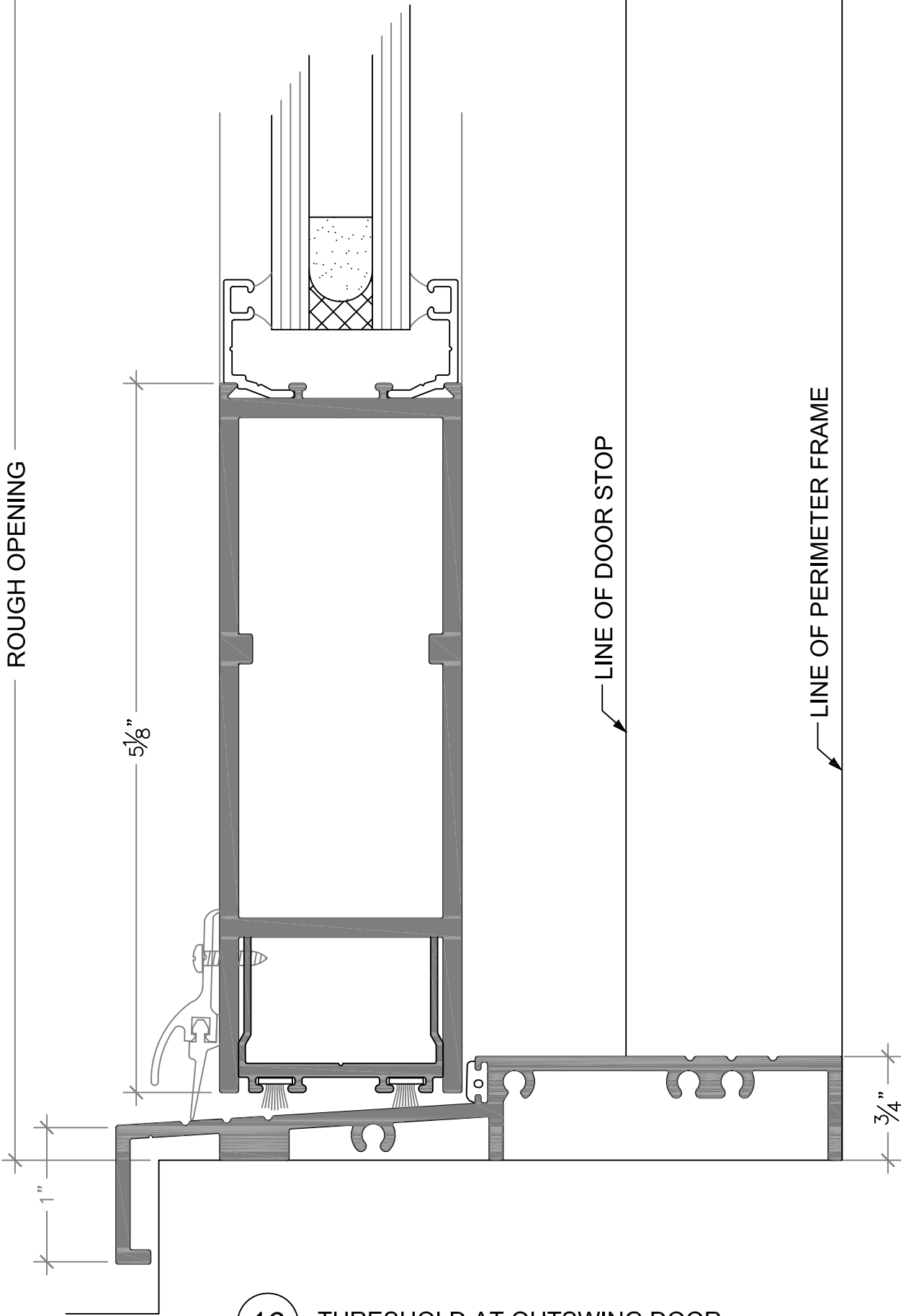
5-1/8" AT BOTTOM RAIL

ROUGH OPENING

15 THRESHOLD AT MEDIUM STILE INSWING DOOR

2000 SERIES DOOR

BONELLI
ENTERPRISES



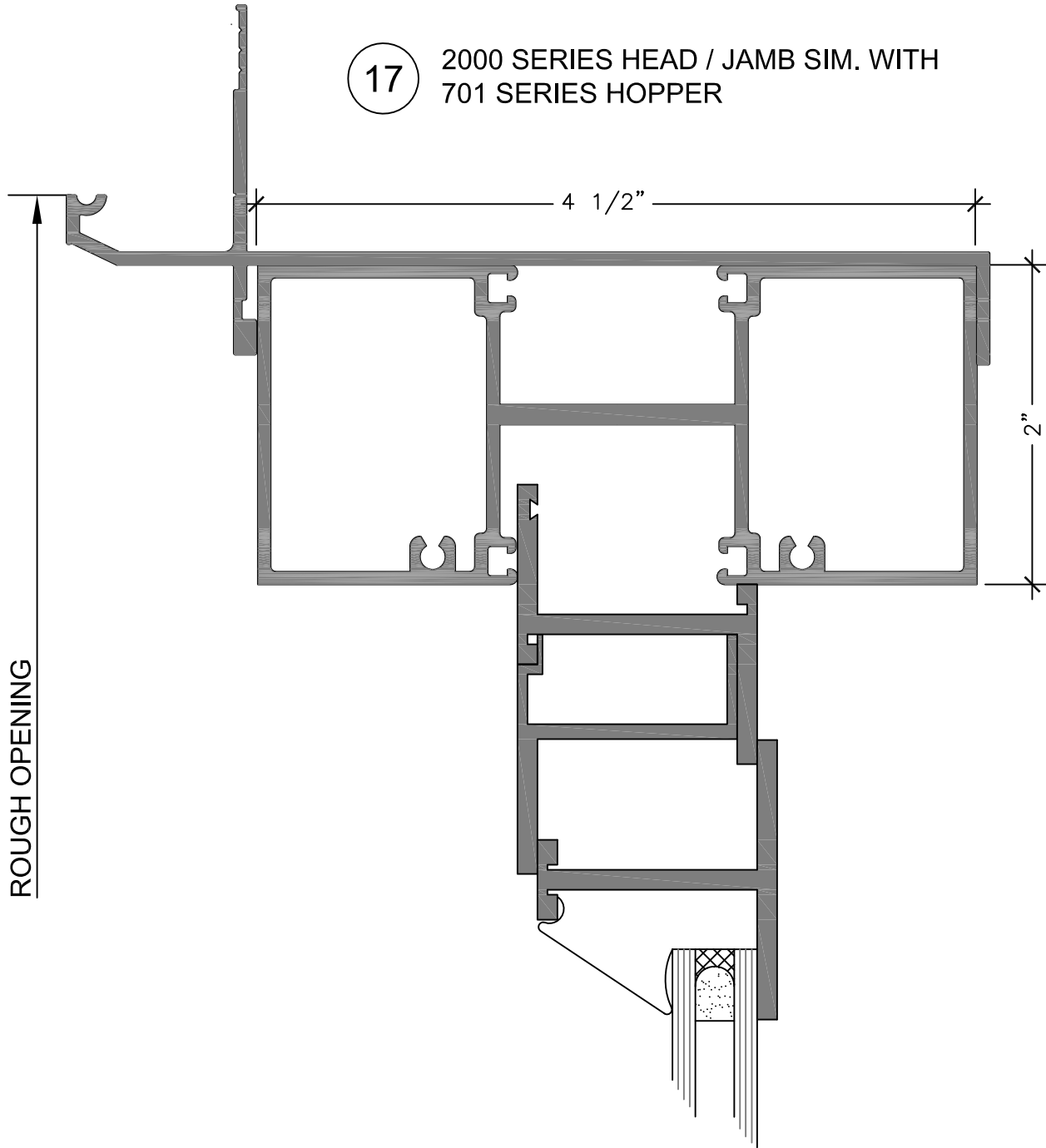
16 THRESHOLD AT OUTSWING DOOR

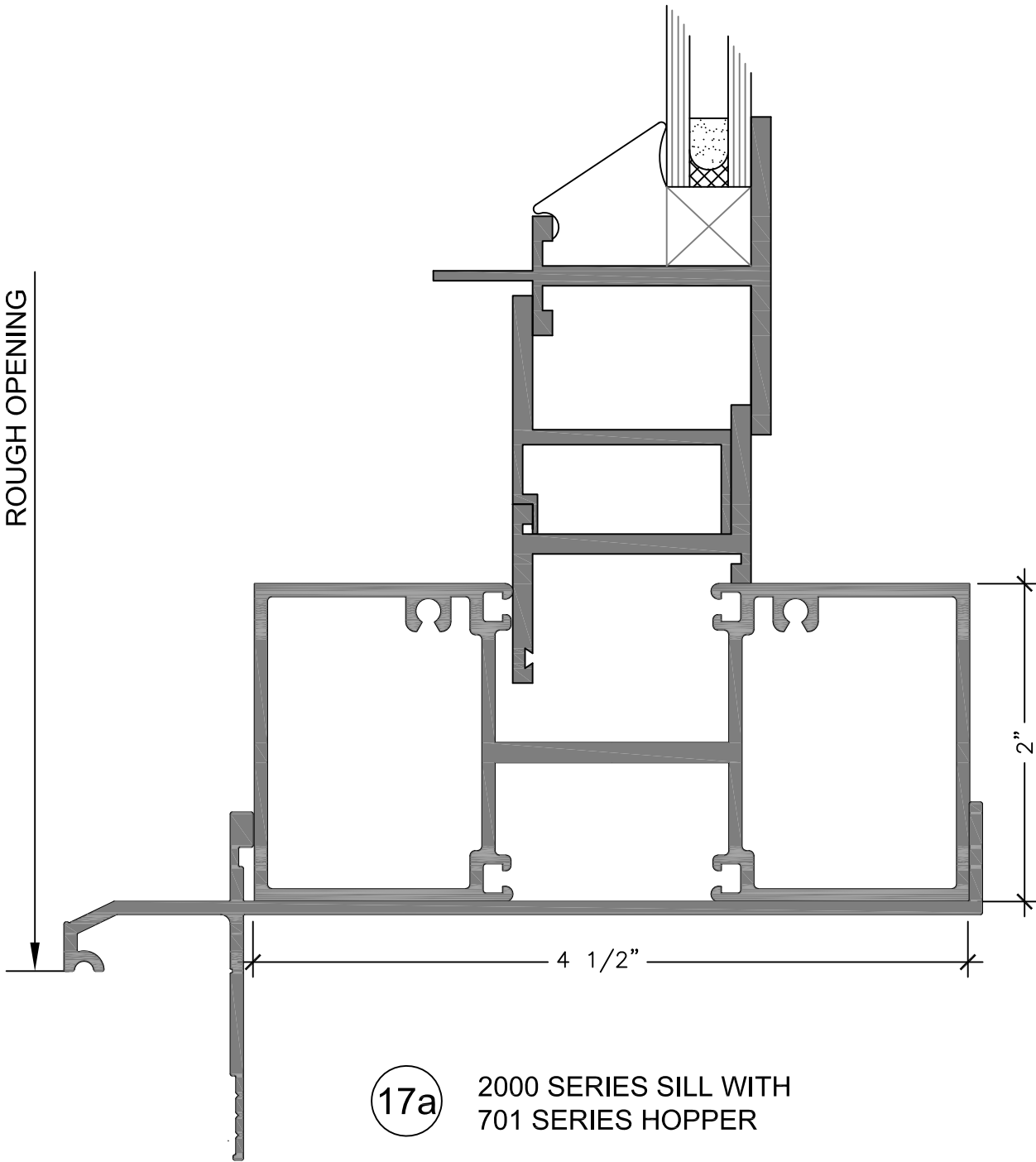
2000 SERIES DOOR

ROUGH OPENING

17

2000 SERIES HEAD / JAMB SIM. WITH
701 SERIES HOPPER





17a

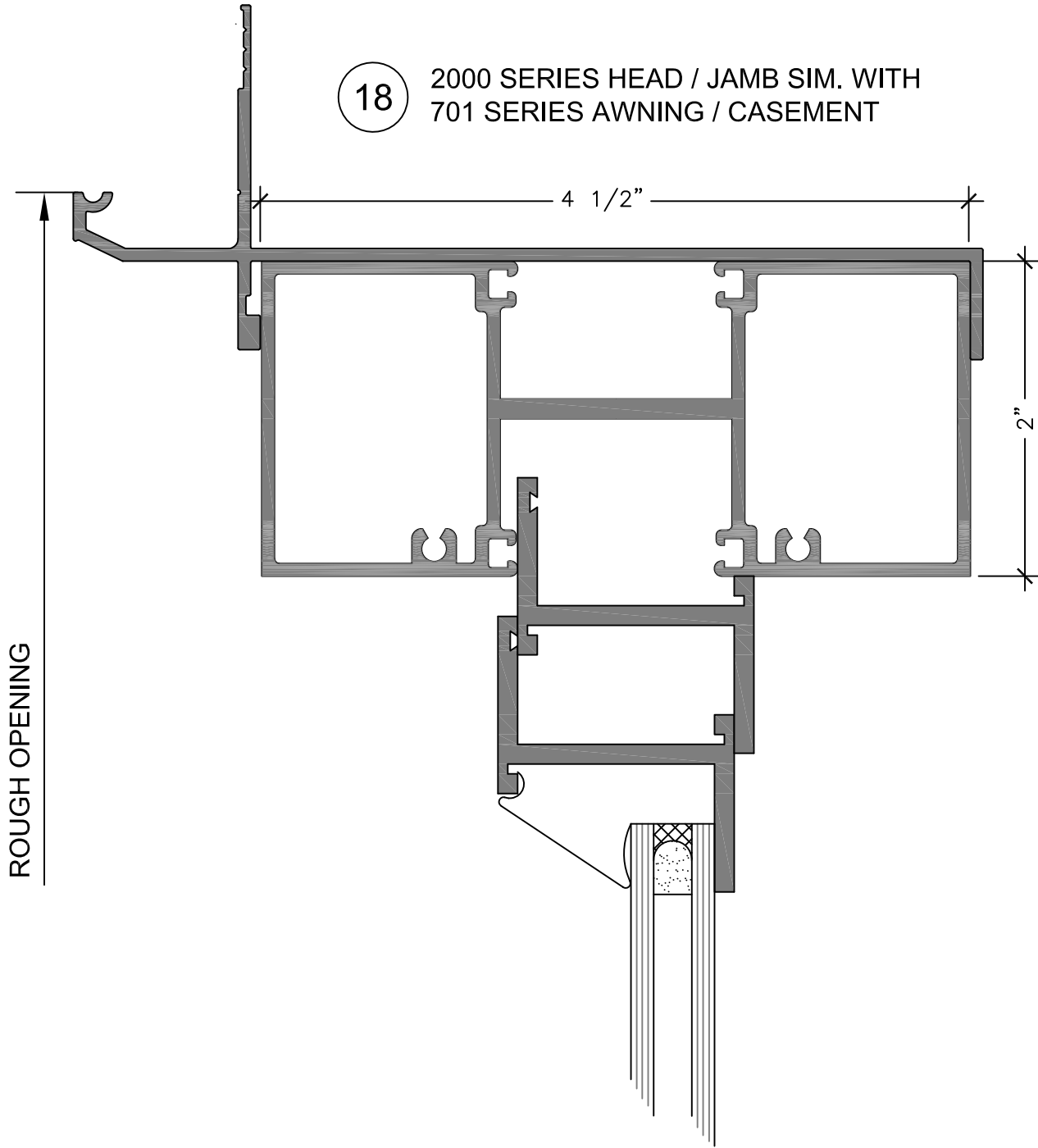
2000 SERIES SILL WITH
701 SERIES HOPPER

2000 SERIES WINDOW

BONELLI
ENTERPRISES

18

2000 SERIES HEAD / JAMB SIM. WITH
701 SERIES AWNING / CASEMENT

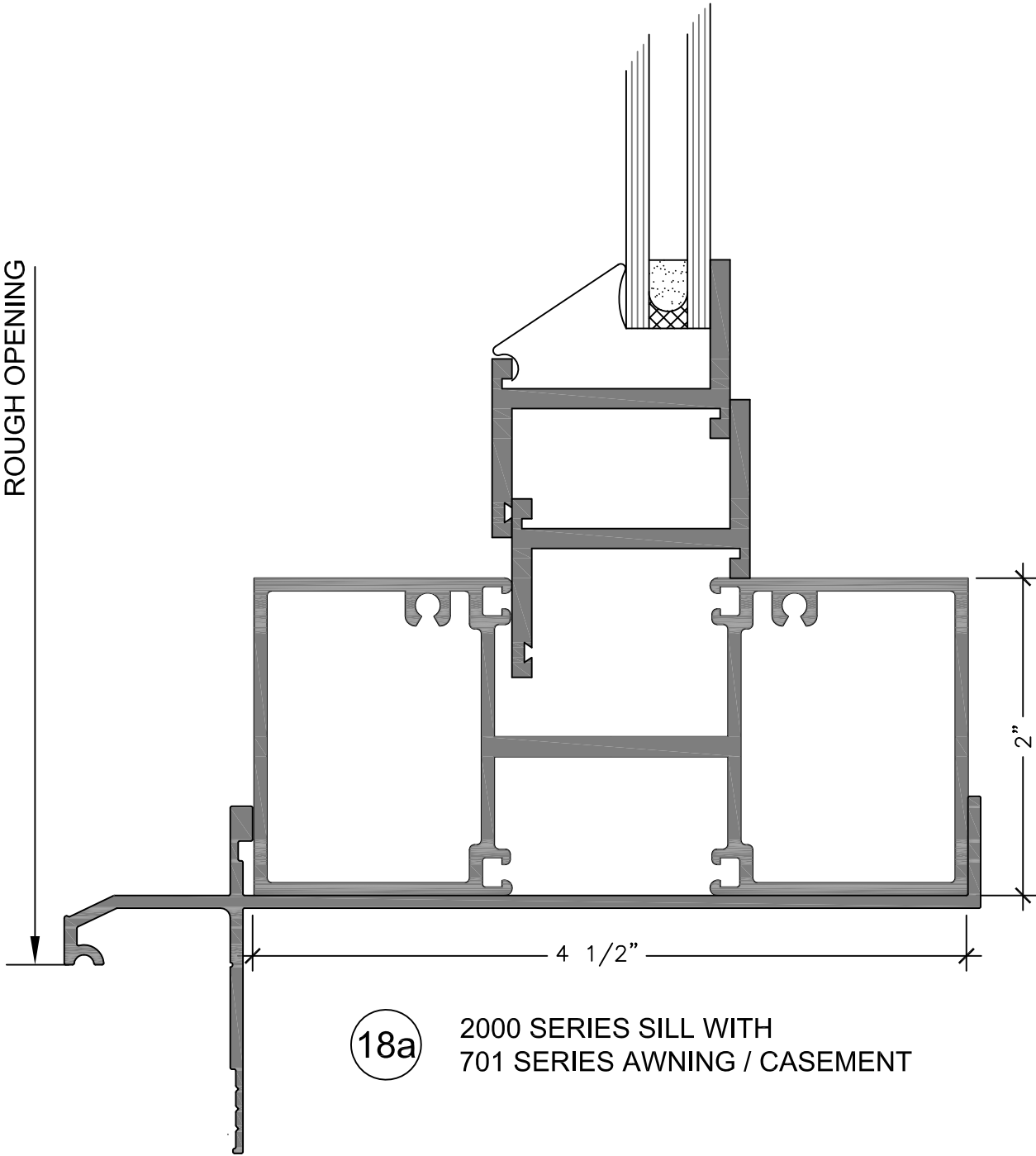


ROUGH OPENING

2000 SERIES WINDOW

BONELLI
ENTERPRISES

ROUGH OPENING

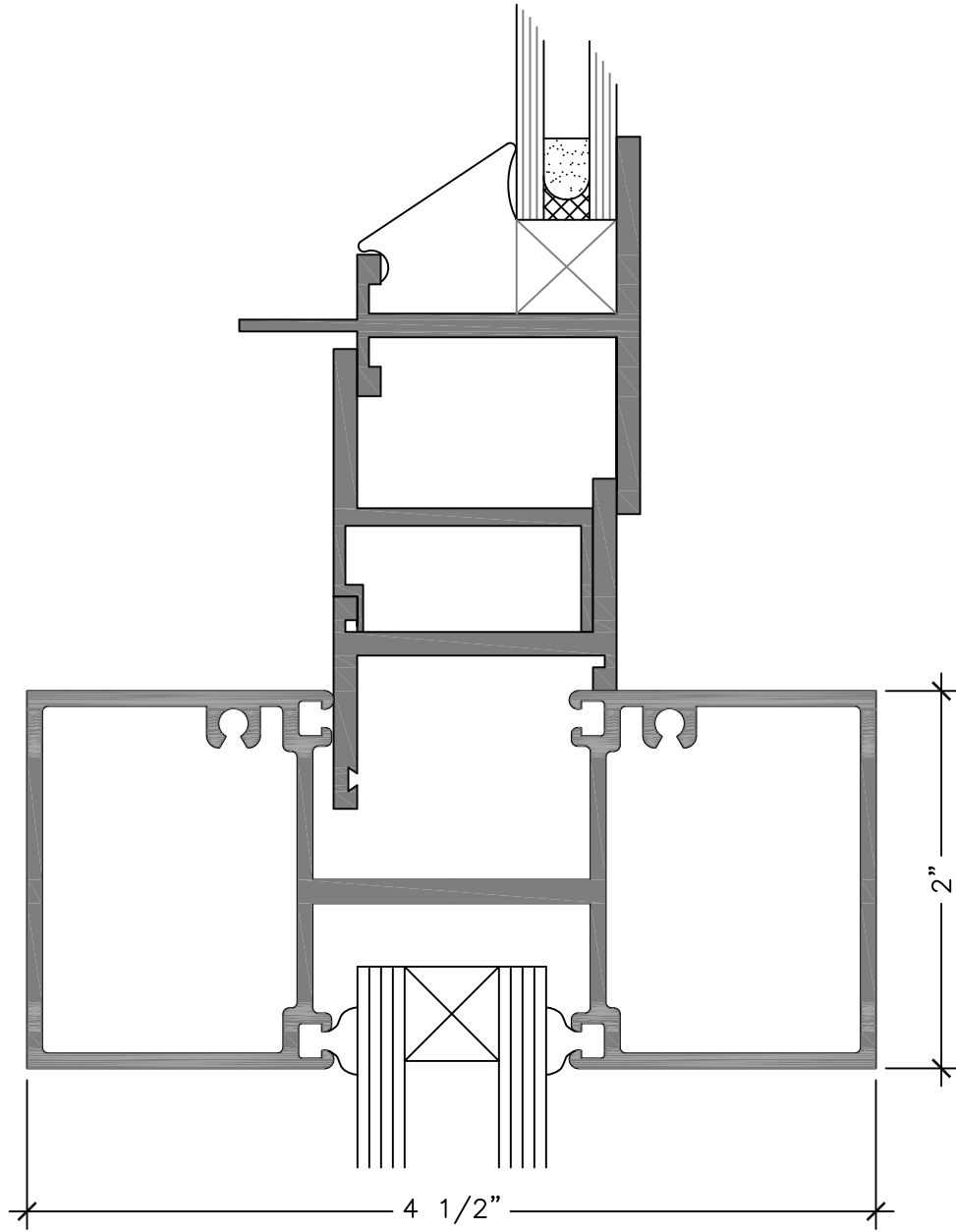


18a

2000 SERIES SILL WITH
701 SERIES AWNING / CASEMENT

2000 SERIES WINDOWS

BONELLI
ENTERPRISES



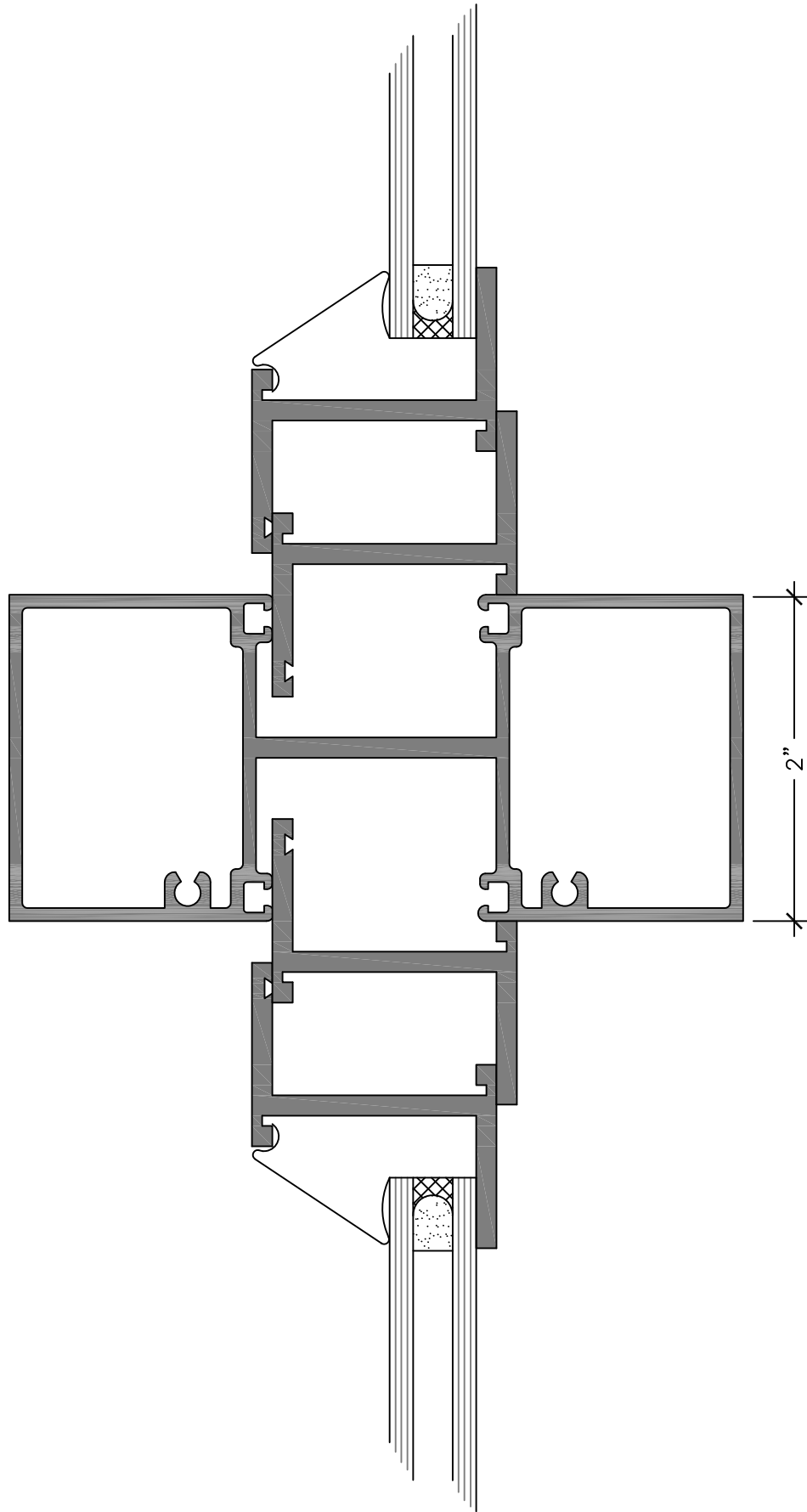
19 2000 SERIES WITH
701 SERIES HOPPER OVER FIXED

2000 SERIES WINDOWS

BONELLI
ENTERPRISES

20

2000 SERIES VERTICAL MULLION WITH 701
Z-BAR AWNING / CASEMENT

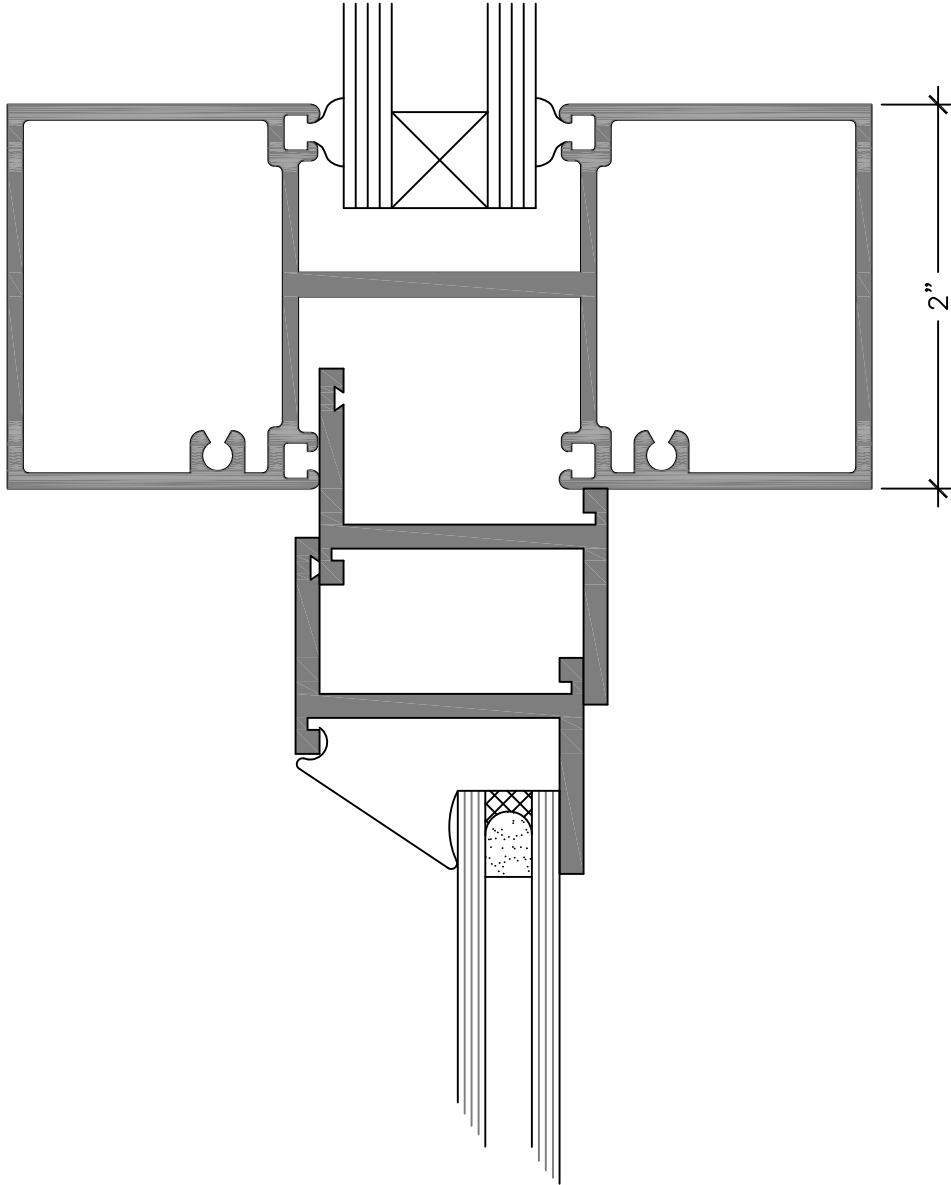


2000 SERIES WINDOWS

BONELLI
ENTERPRISES

21

2000 SERIES HORIZONTAL
FIXED OVER AWNING



2000 SERIES WINDOWS

BONELLI
ENTERPRISES

22b

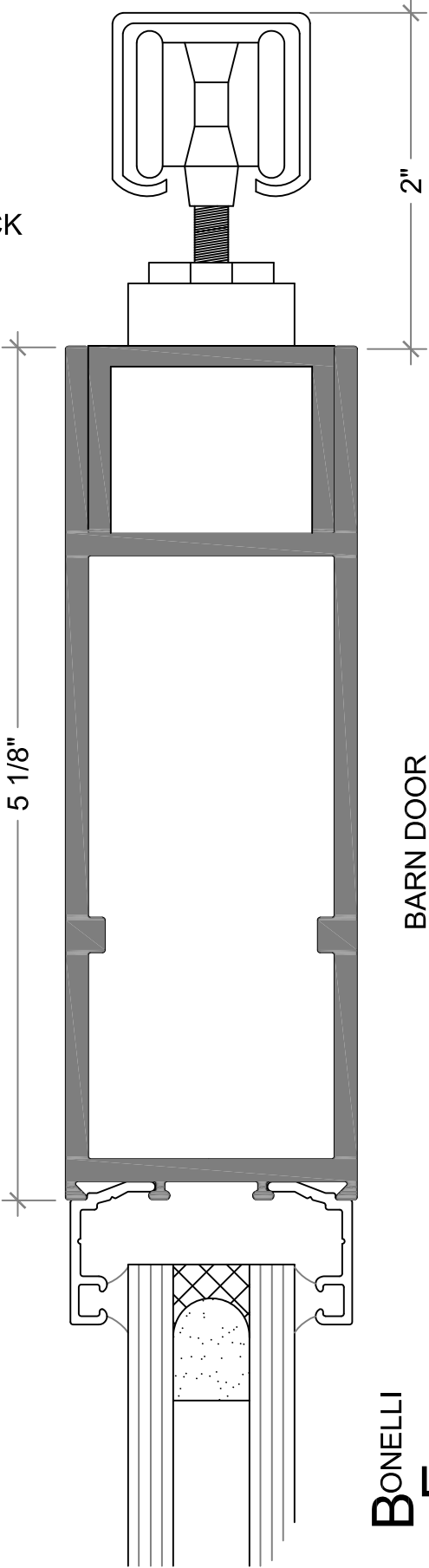
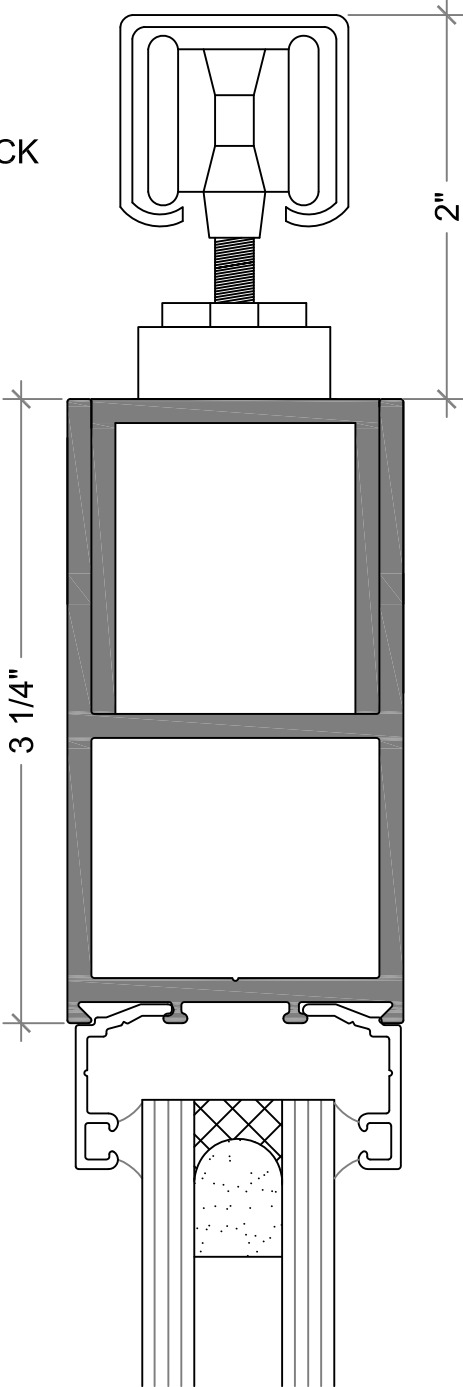
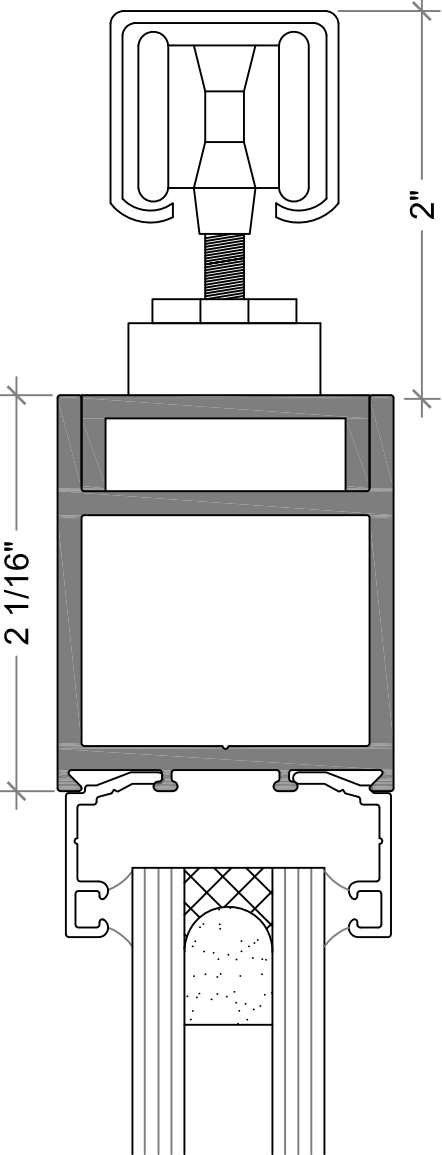
BARN DOOR TOP RAIL WITH OVERHEAD TRACK -WIDE STILE

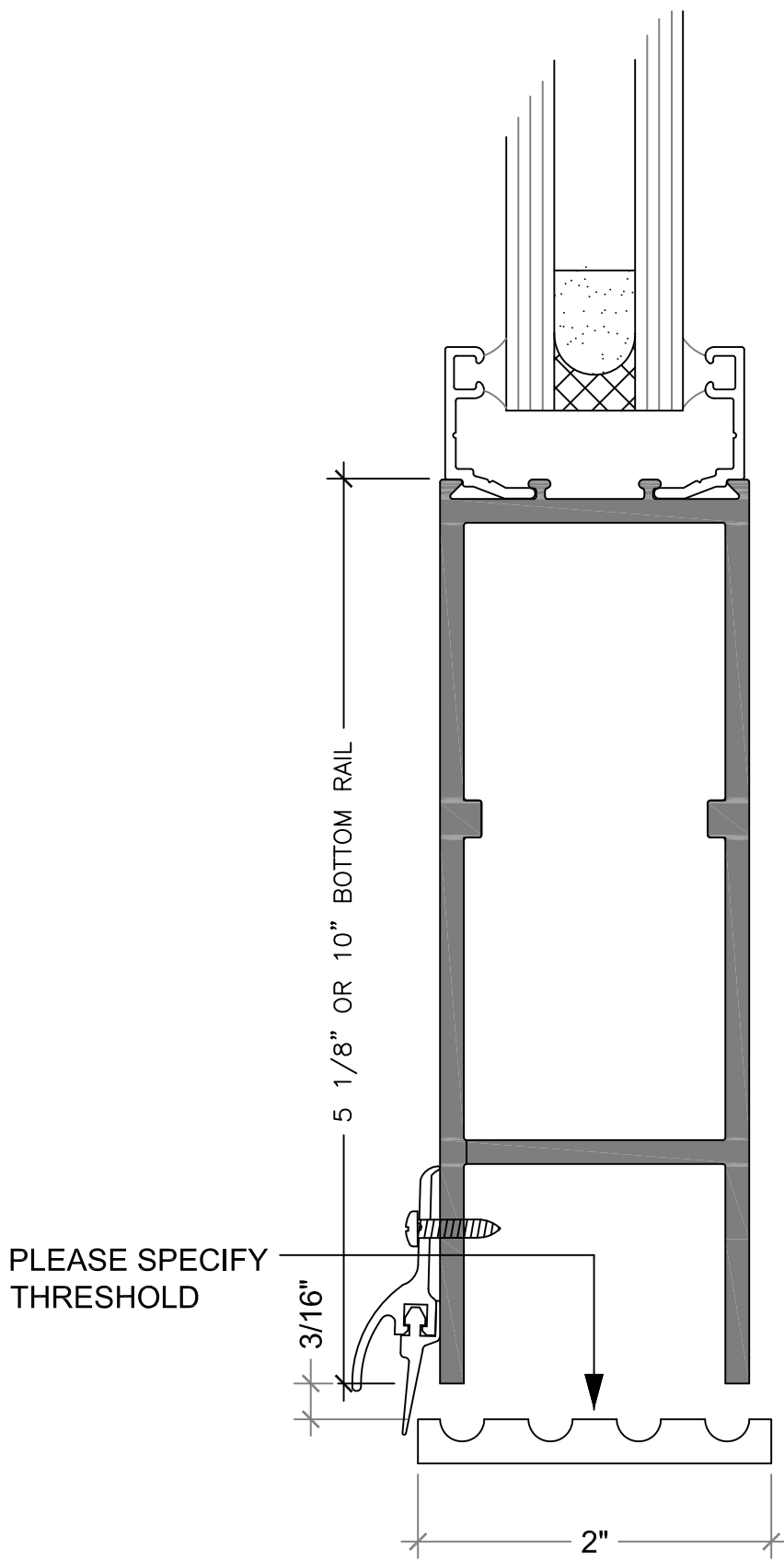
22a

BARN DOOR TOP RAIL WITH OVERHEAD TRACK -MEDIUM STILE

22

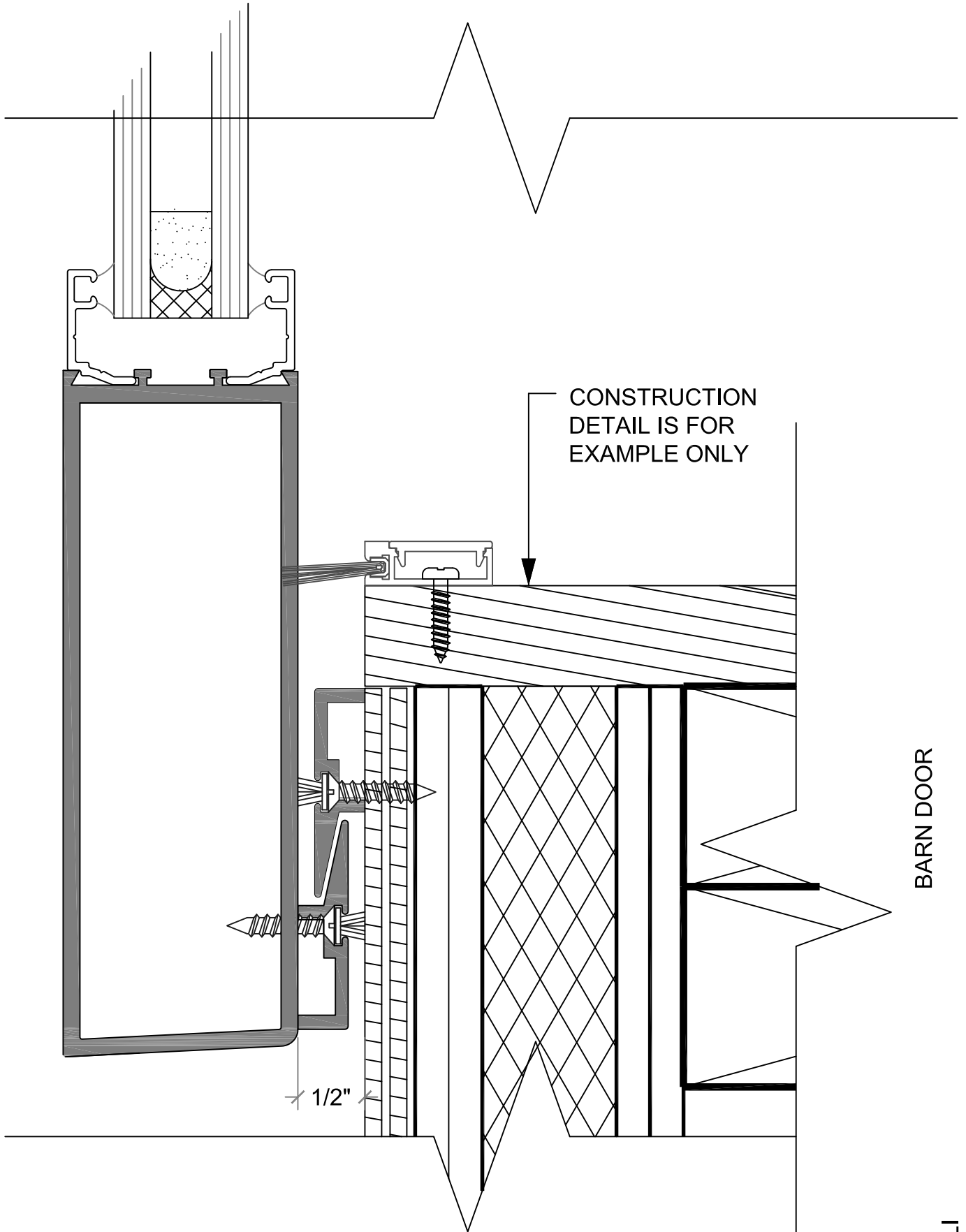
BARN DOOR TOP RAIL WITH OVERHEAD TRACK -NARROW STILE



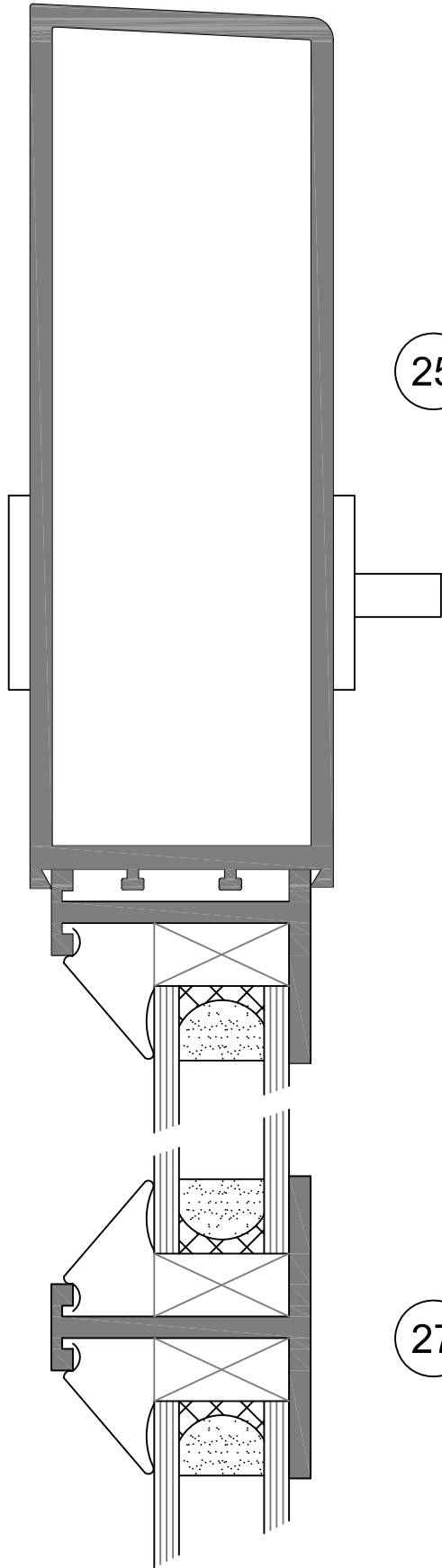


BARN DOOR

23 ARCHITECT TO SPECIFY HEIGHT OF BOTTOM RAIL AND THRESHOLD REQUIRED



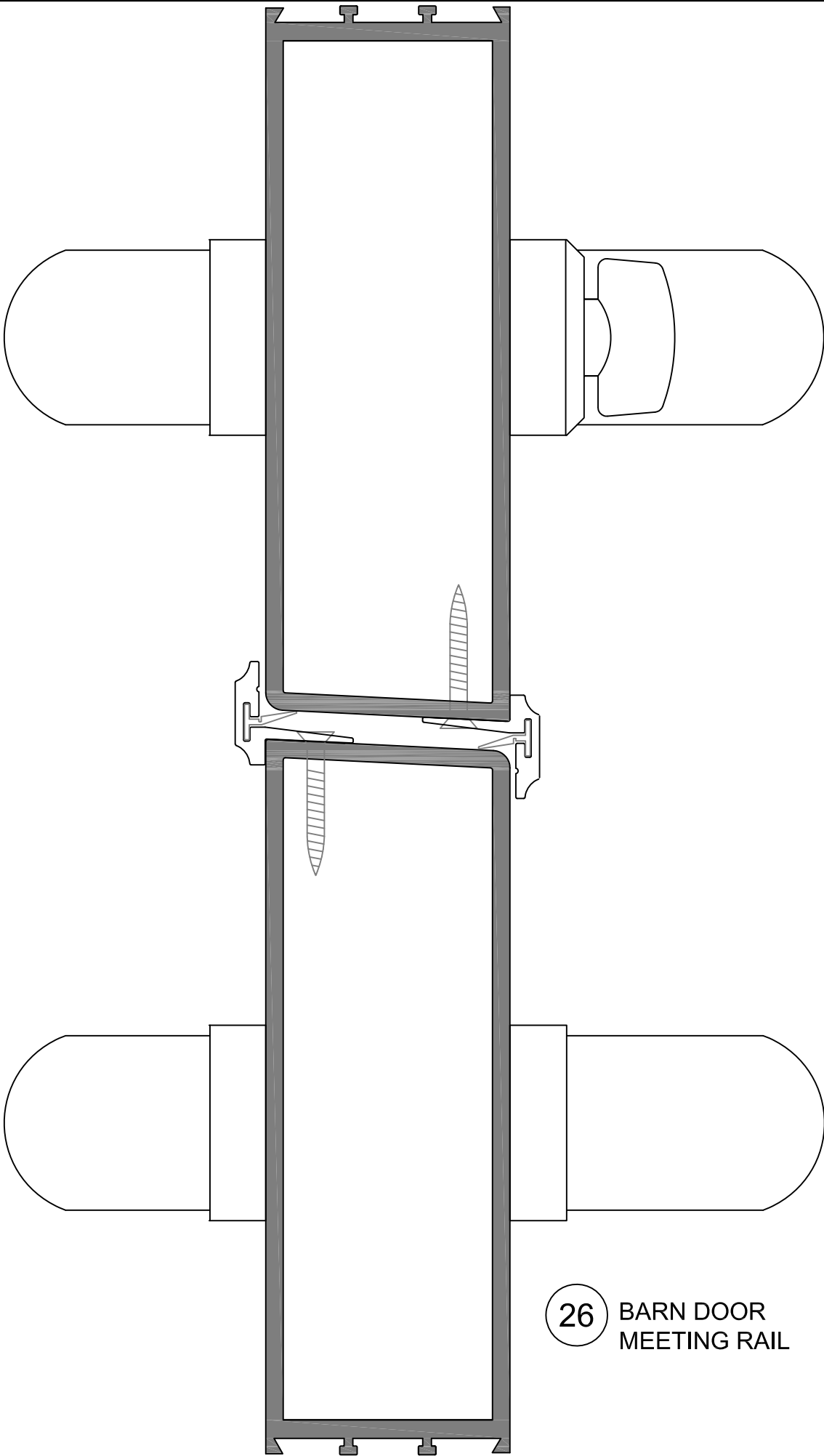
24 BARN DOOR JAMB @ INTERLOCK



25 LOCKING JAMB

27 T-BAR

BARN DOOR WITH TRUE DIVIDED LITE

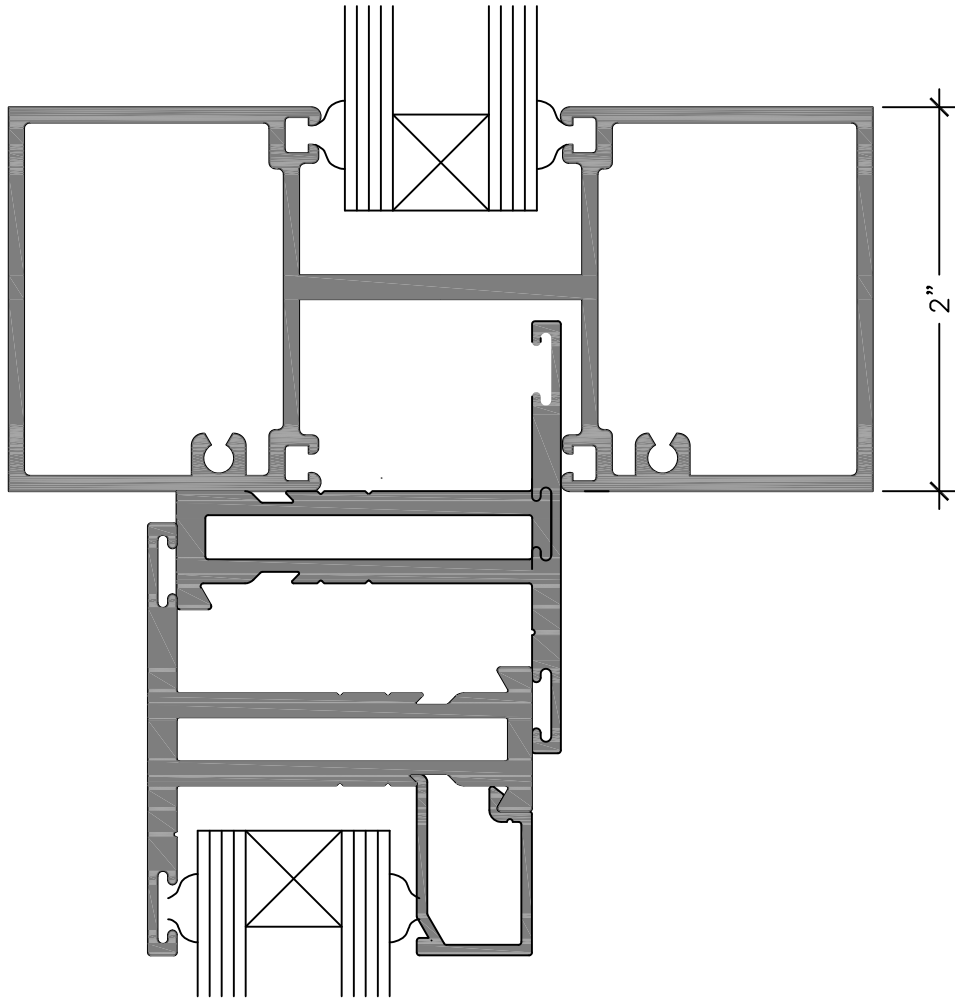


BARN DOOR

26 BARN DOOR MEETING RAIL

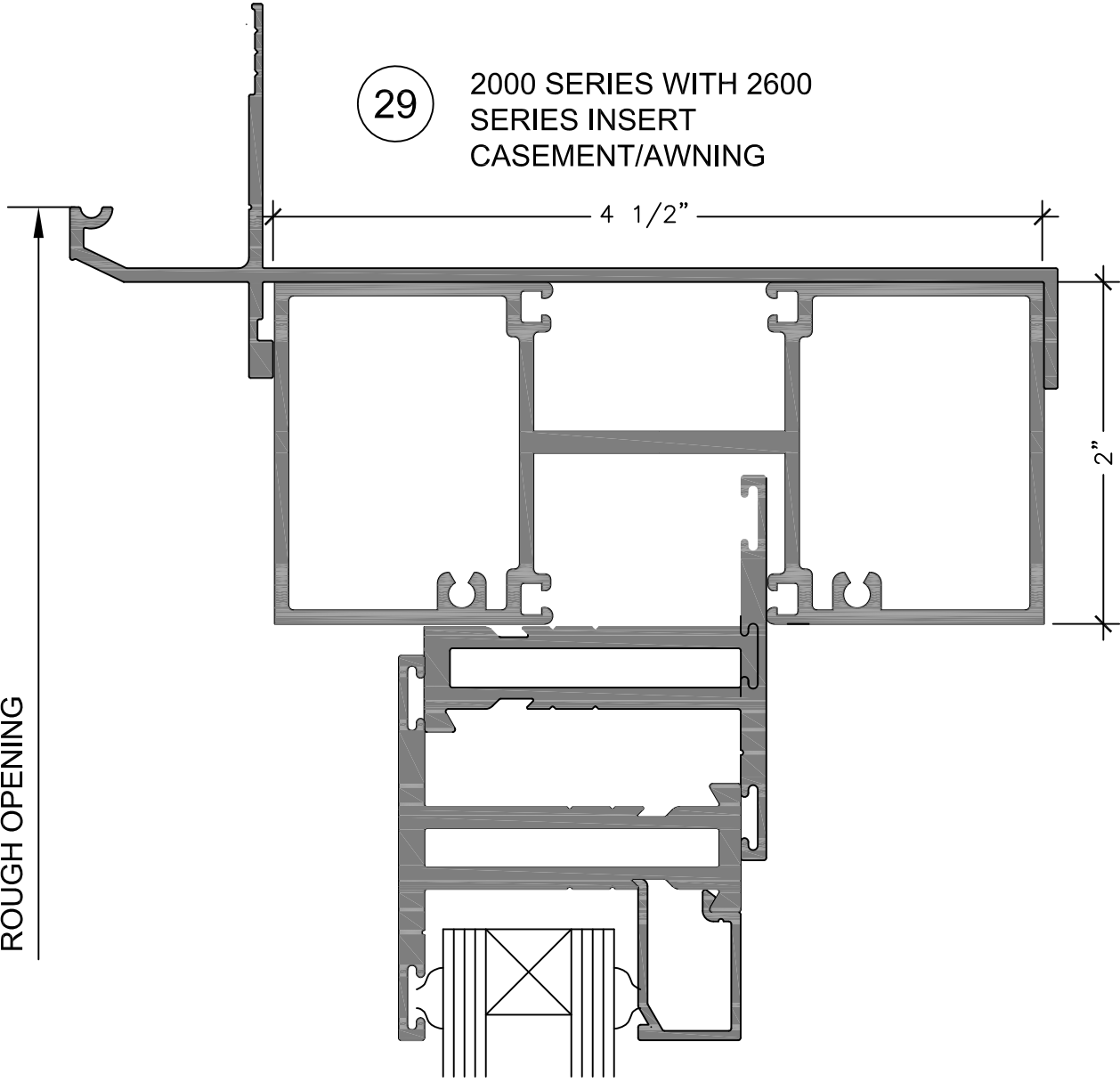
28

2000 SERIES WITH 2600
SERIES INSERT FIXED OVER
AWNING



2000 SERIES WITH 2600 INSERT FIXED/AWNING

ROUGH OPENING



29

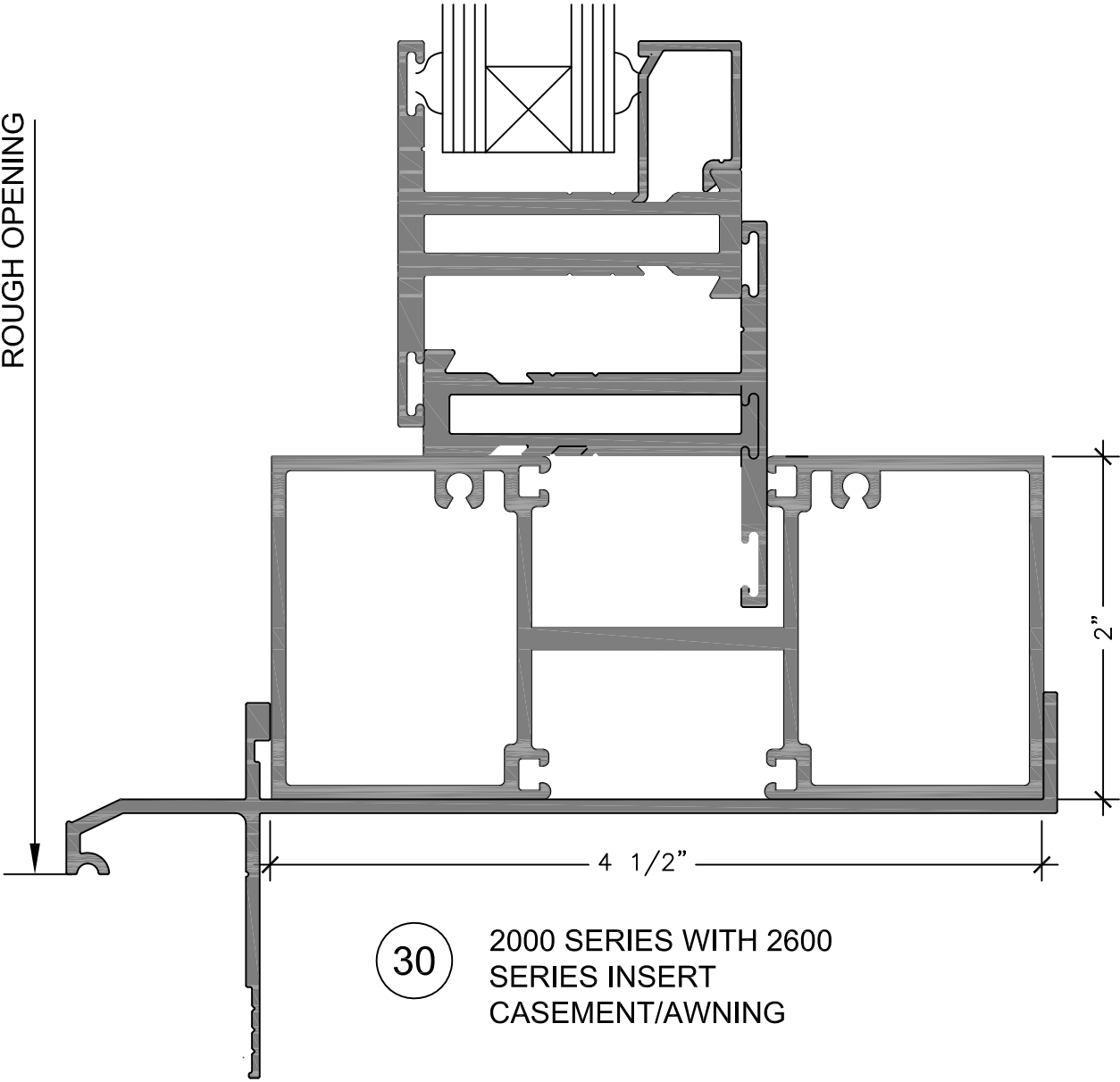
2000 SERIES WITH 2600
SERIES INSERT
CASEMENT/AWNING

4 1/2"

2"

2000 SERIES WITH 2600 INSERT FIXED/AWNING

ROUGH OPENING



30

2000 SERIES WITH 2600
SERIES INSERT
CASEMENT/AWNING

2000 SERIES WITH 2600 INSERT FIXED/AWNING