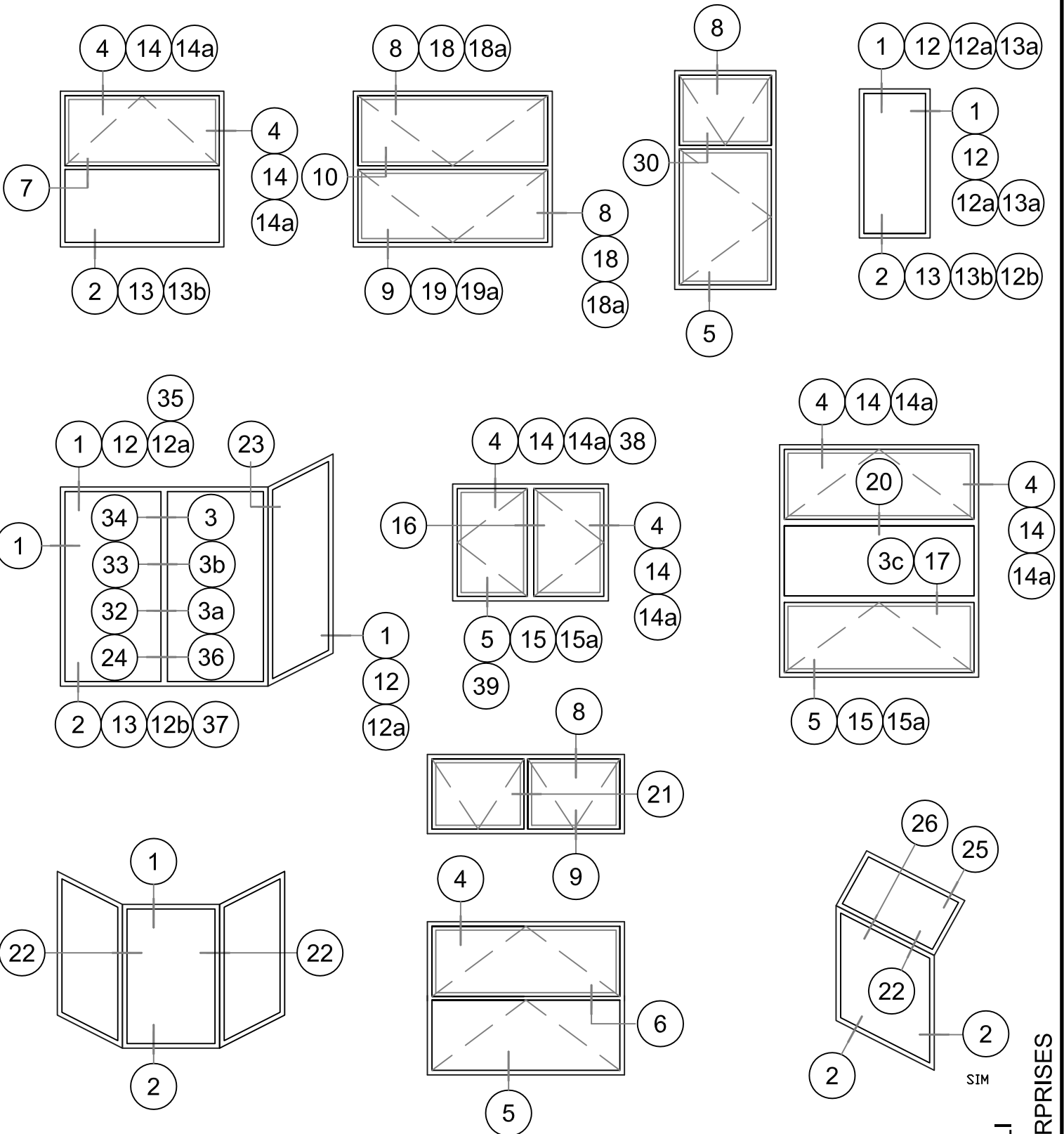
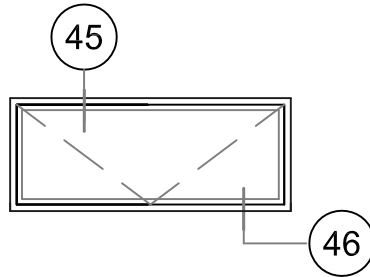
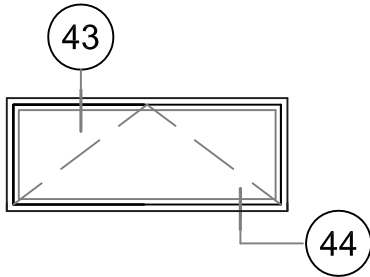
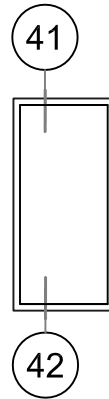
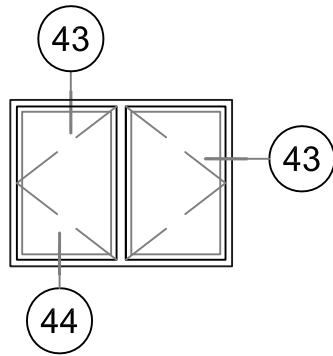


700 SERIES NAIL ON CASEMENT, HOPPER, AWNING AND FIXED  
 701 SERIES EQUAL LEG CASEMENT, HOPPER, AWNING AND FIXED

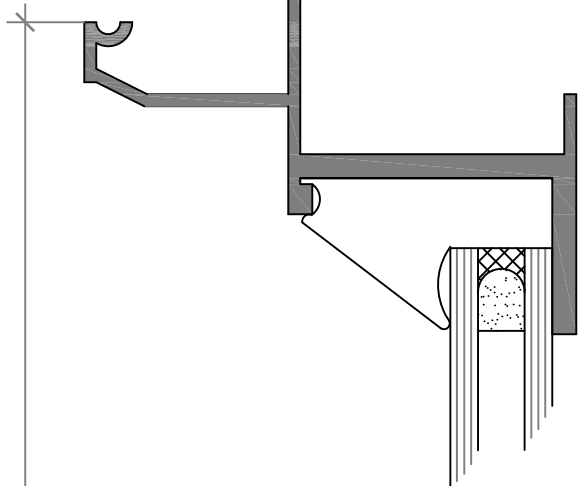


700R SERIES NAIL ON RECESSED WINDOW

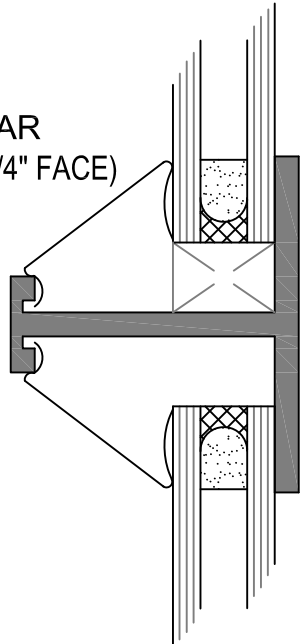


1 HEAD/JAMB  
SIM.

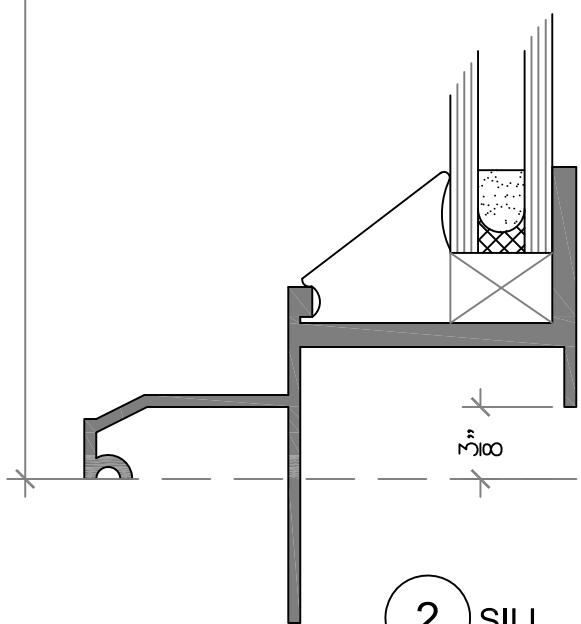
1a VINYL  
GLAZING BEAD  
AT ROUND



3 T-BAR  
(1-3/4" FACE)

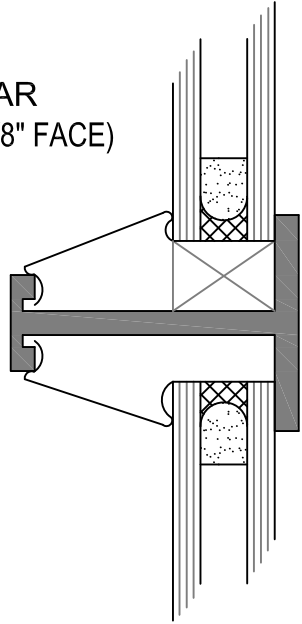


WINDOW AND R.O. DIMENSION



2 SILL

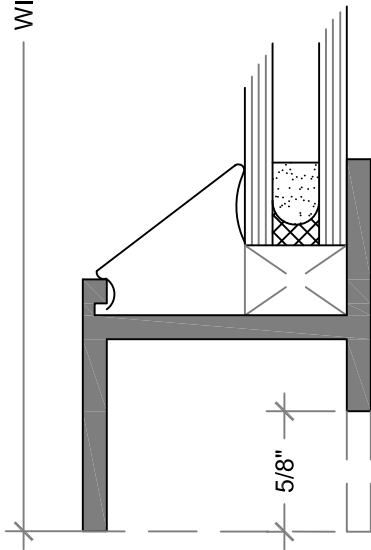
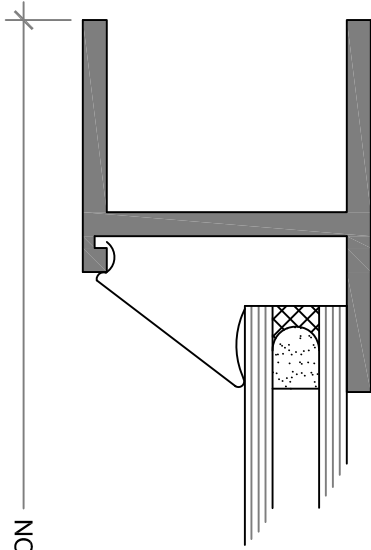
3a T-BAR  
(1-1/8" FACE)



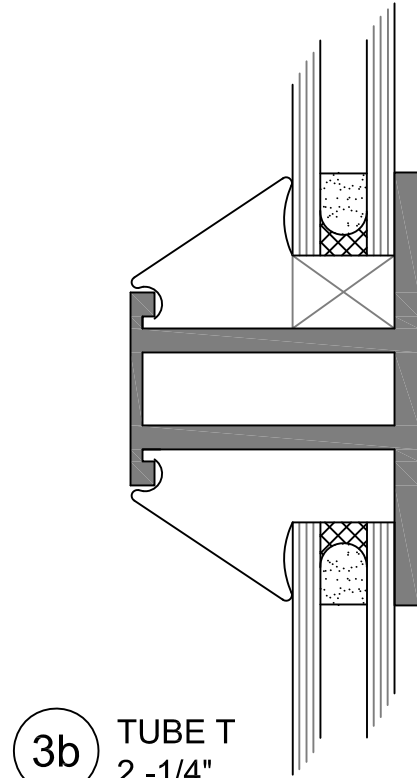
700 SERIES FIXED AND 700 SERIES MUNTIN BARS

BONELLI  
ENTERPRISES

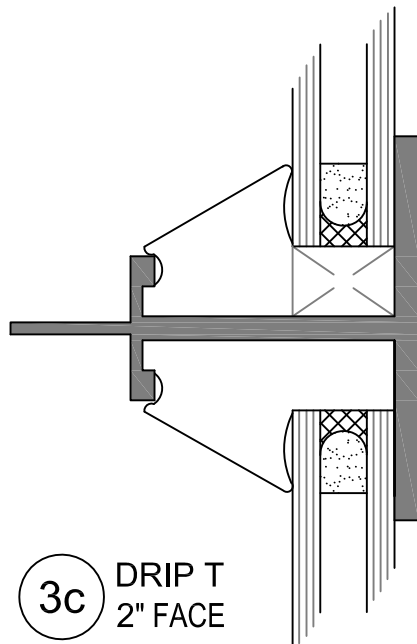
12 HEAD JAMB SIM.



13 SILL  
W/ "Z" BOTTOM  
(EQUAL LEG BOTTOM  
AVAILABLE)



3b TUBE T  
2 -1/4"  
FACE

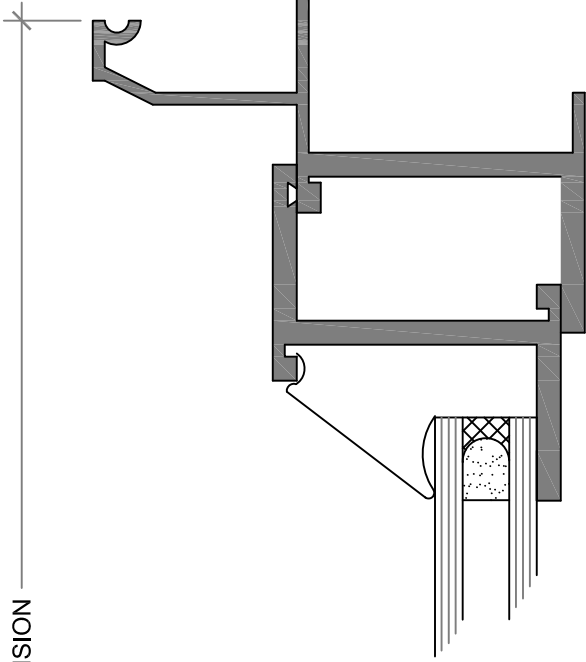


3c DRIP T  
2" FACE

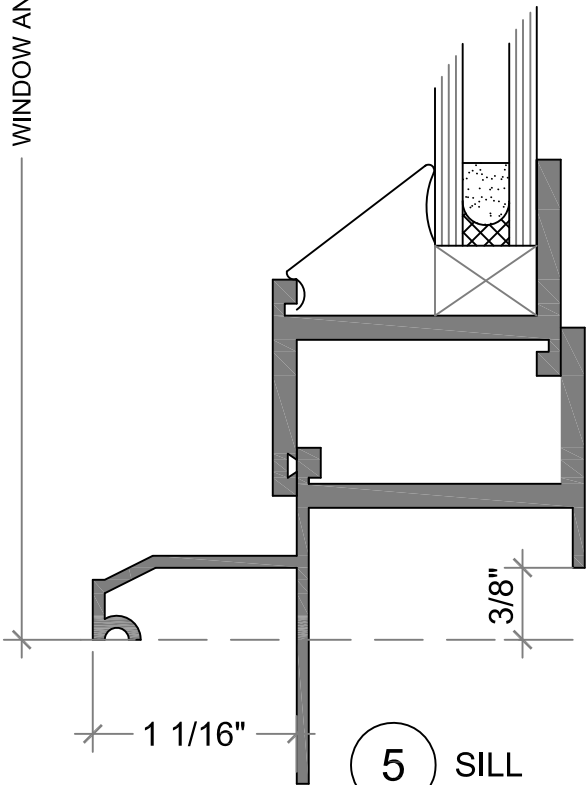
701 EQUAL LEG

WINDOW AND R.O. DIMENSION

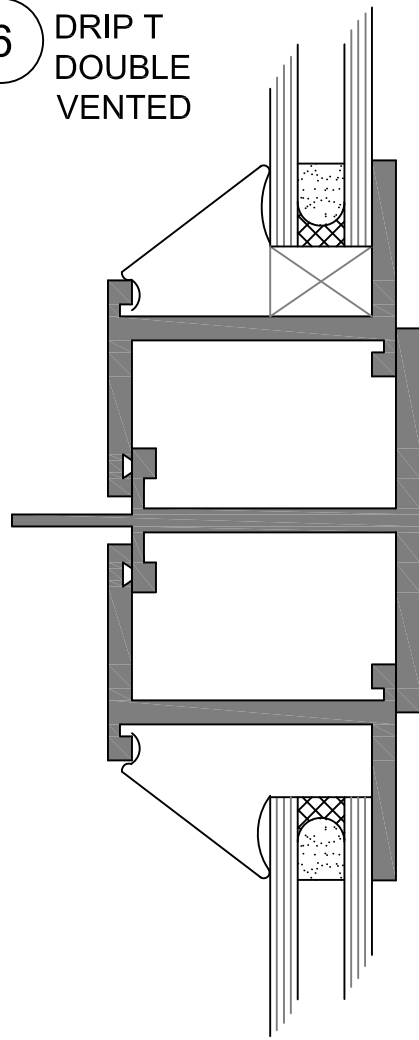
4 HEAD  
JAMB  
SIM.



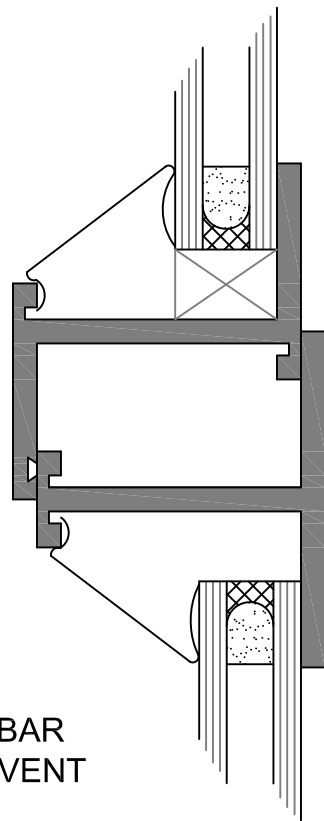
5 SILL



6 DRIP T  
DOUBLE  
VENTED



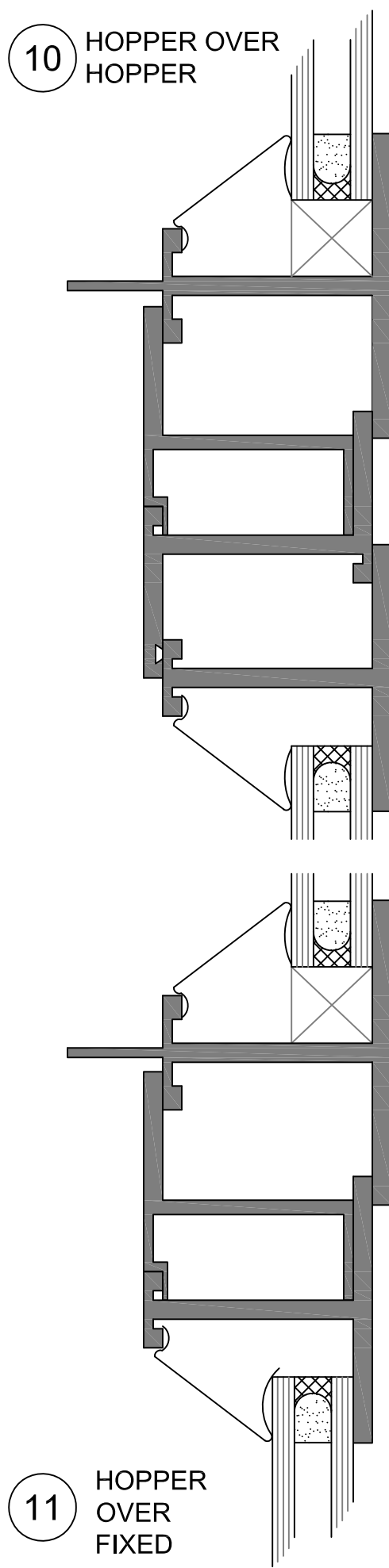
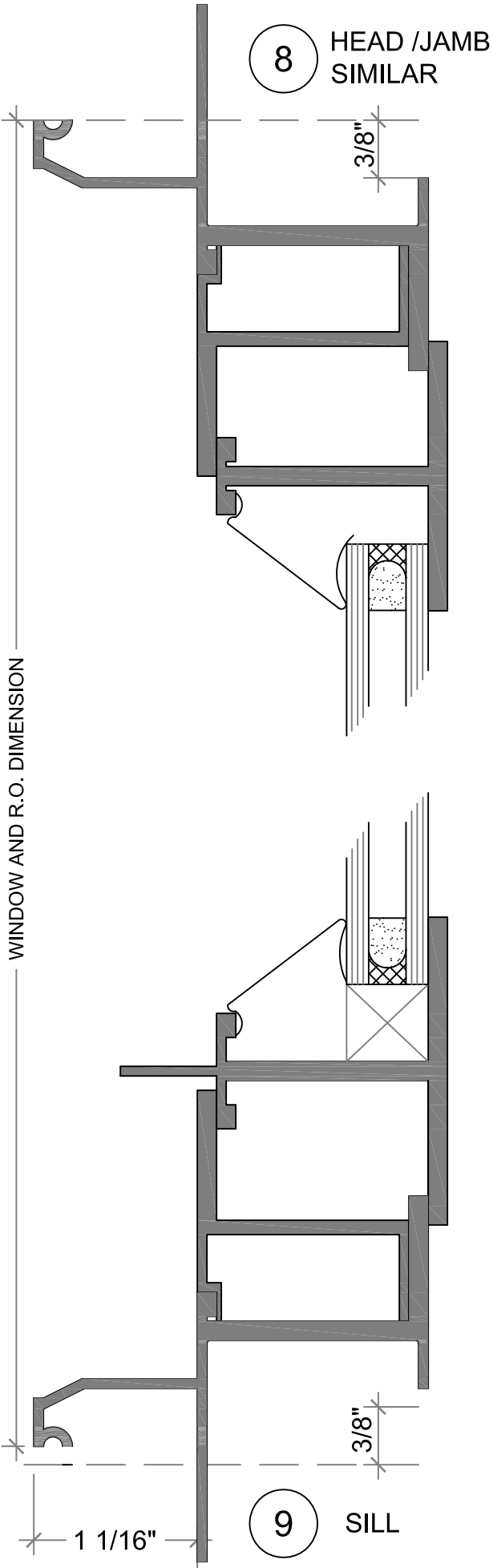
7 T-BAR  
@VENT



700 SERIES CASEMENT/AWNING

BONELLI  
ENTERPRISES

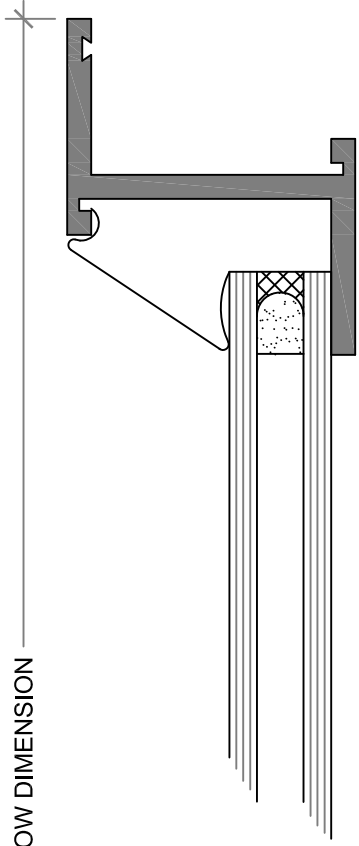
WINDOW AND R.O. DIMENSION



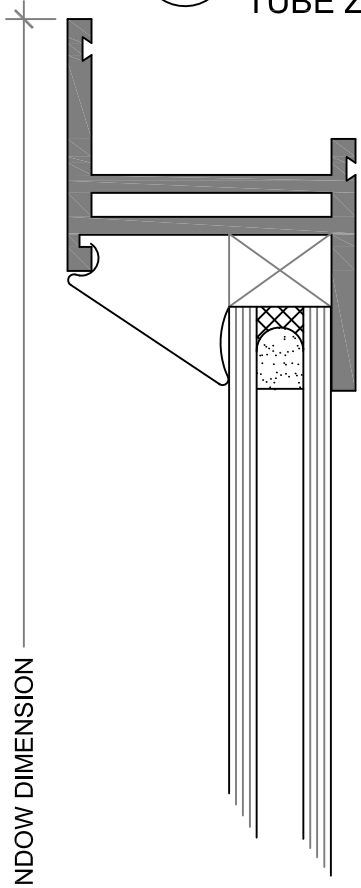
700 SERIES NAIL ON HOPPER

BONELLI  
ENTERPRISES

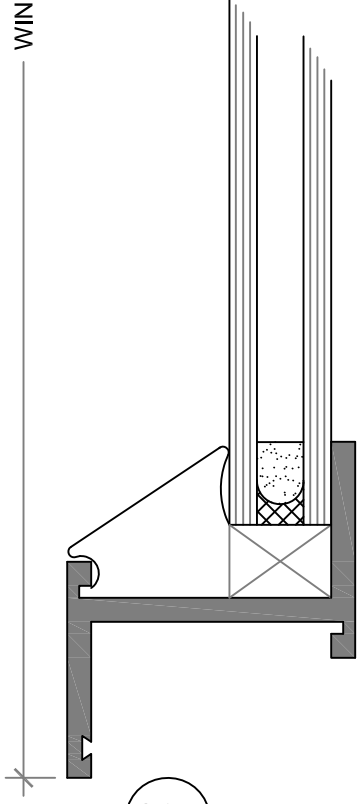
12a FIXED HEAD  
JAMB SIM.



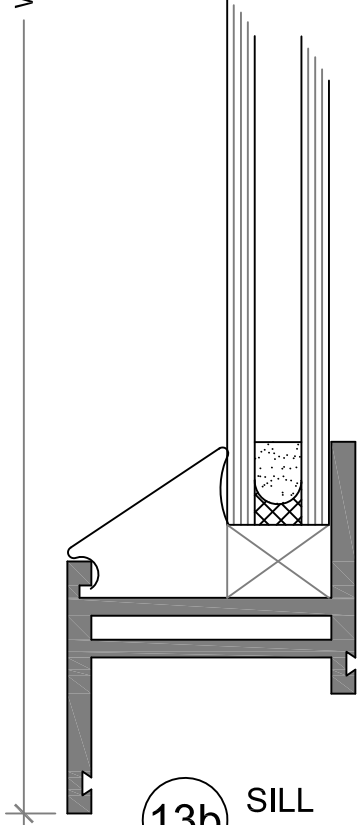
13a FIXED HEAD  
JAMB SIMILAR  
TUBE Z



12b SILL

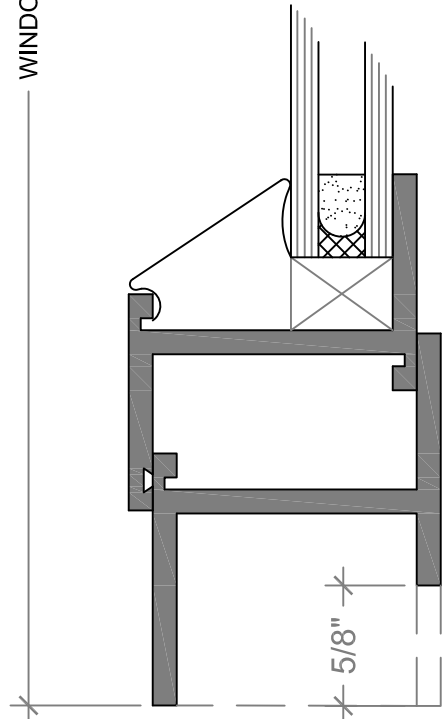
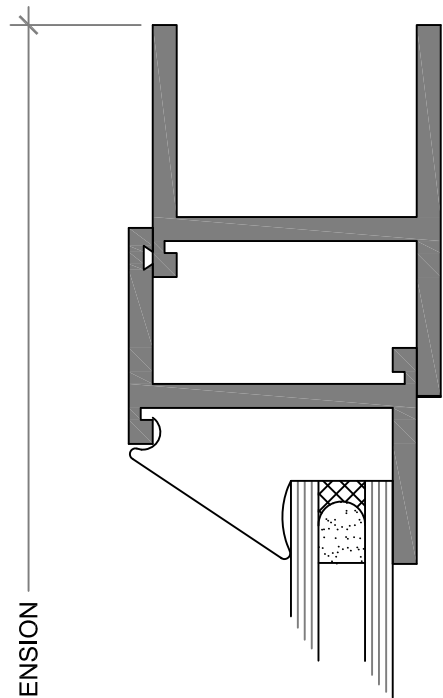


13b SILL  
TUBE Z



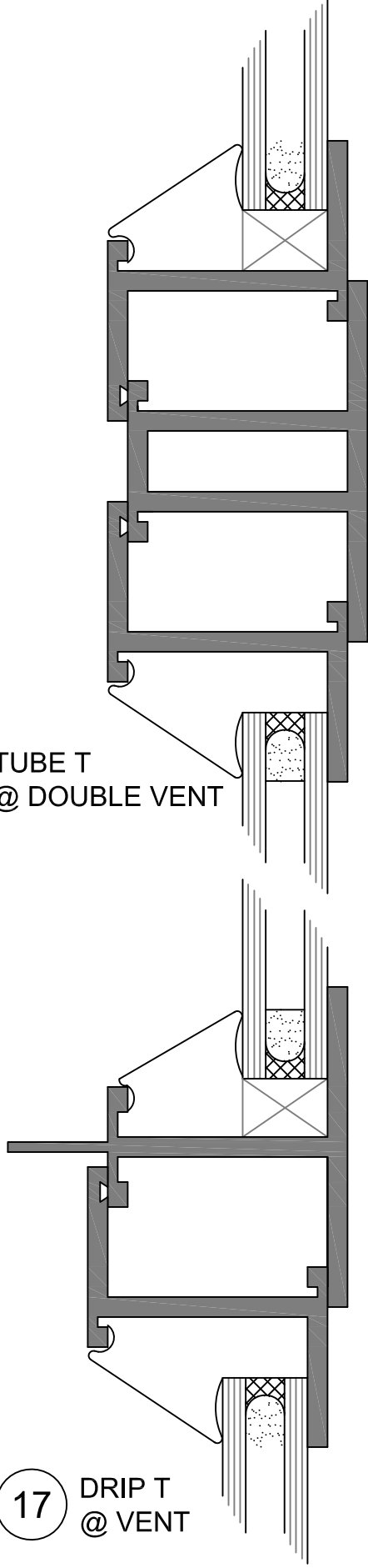
701 SERIES "Z" BAR FRAMES

14 HEAD JAMB SIM.



15 SILL W/ "Z" BOTTOM (EQUAL LEG BOTTOM AVAILABLE)

16 TUBE T @ DOUBLE VENT

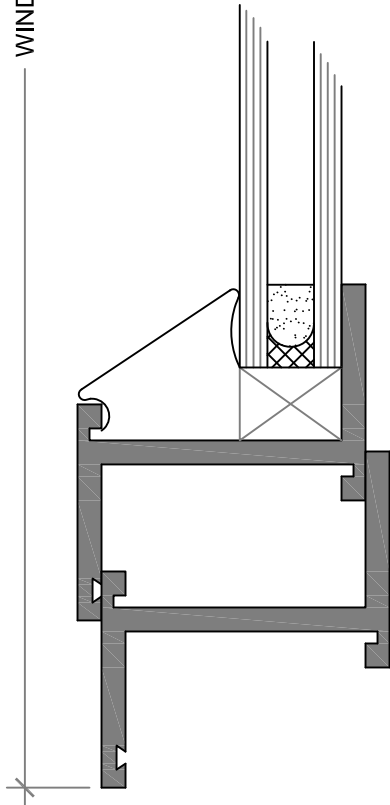
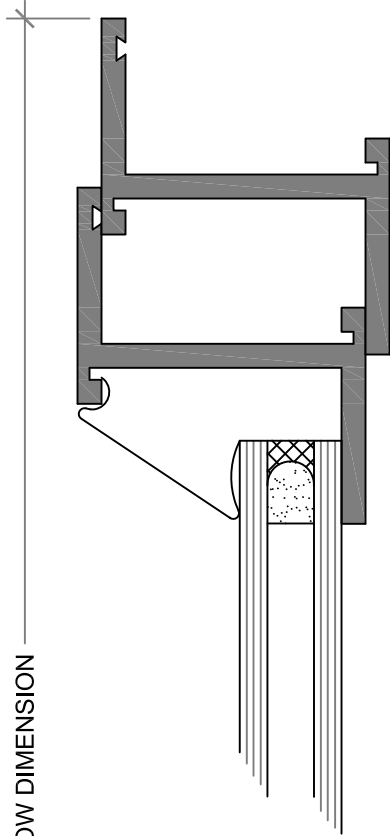


17 DRIP T @ VENT

701 SERIES EQUAL LEG CASEMENT

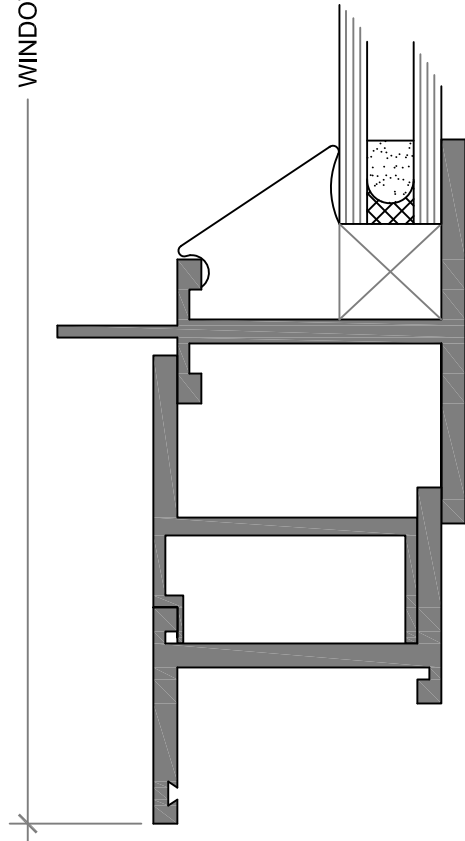
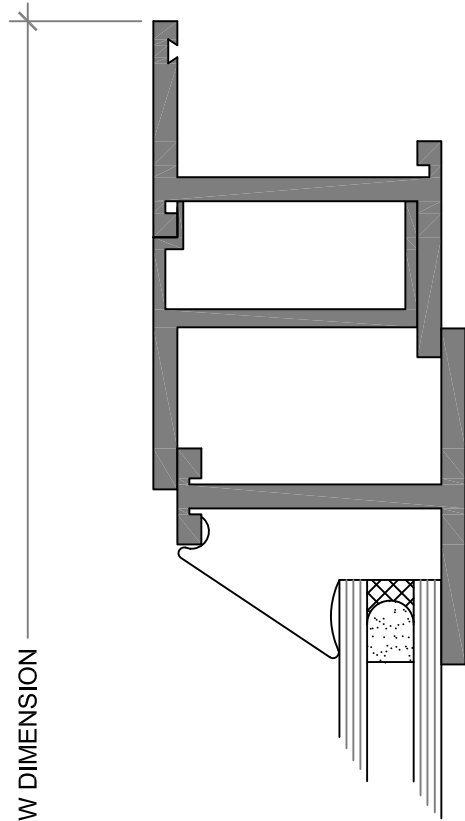
BONELLI ENTERPRISES

14a HEAD/JAMB SIM. AT  
AWNING &  
CASEMENT



15a SILL

18a HEAD/JAMB SIM. AT  
HOPPER

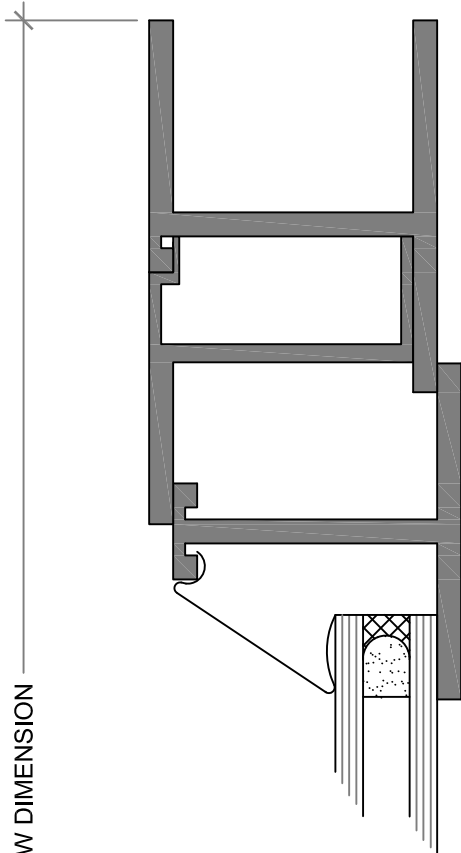


19a SILL

701 SERIES REPLACEMENT "Z" BAR FRAMES

18

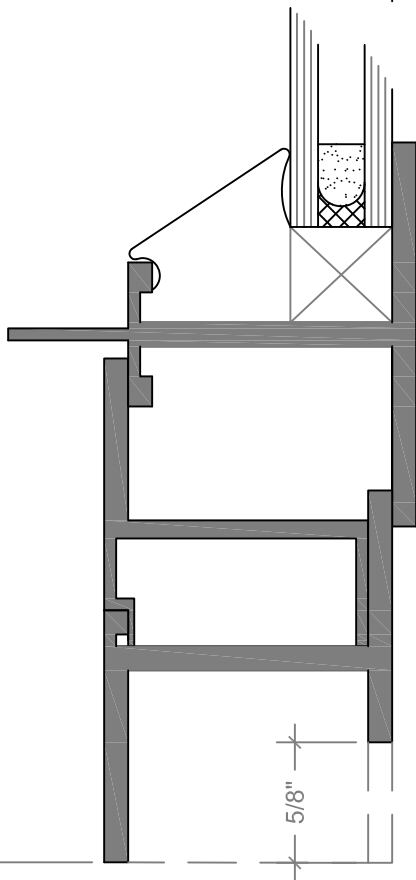
HEAD JAMB SIM.



WINDOW DIMENSION

19

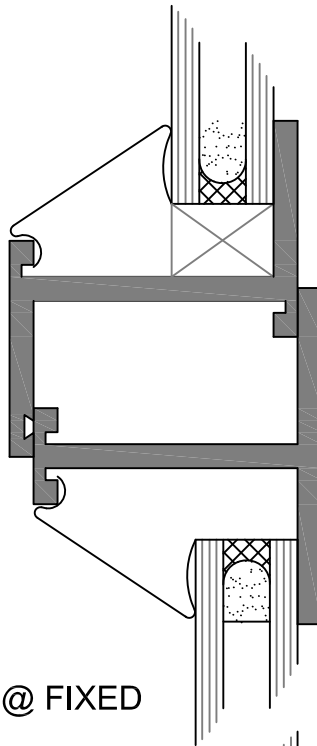
SILL WITH Z BOTTOM



5/8"

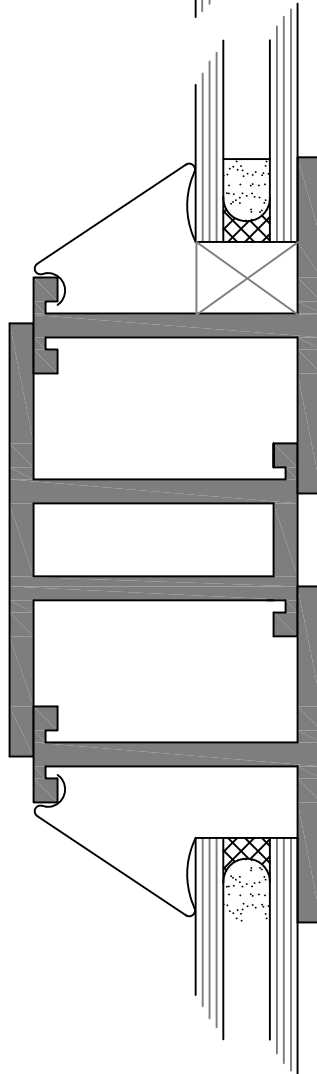
20

VENT @ FIXED



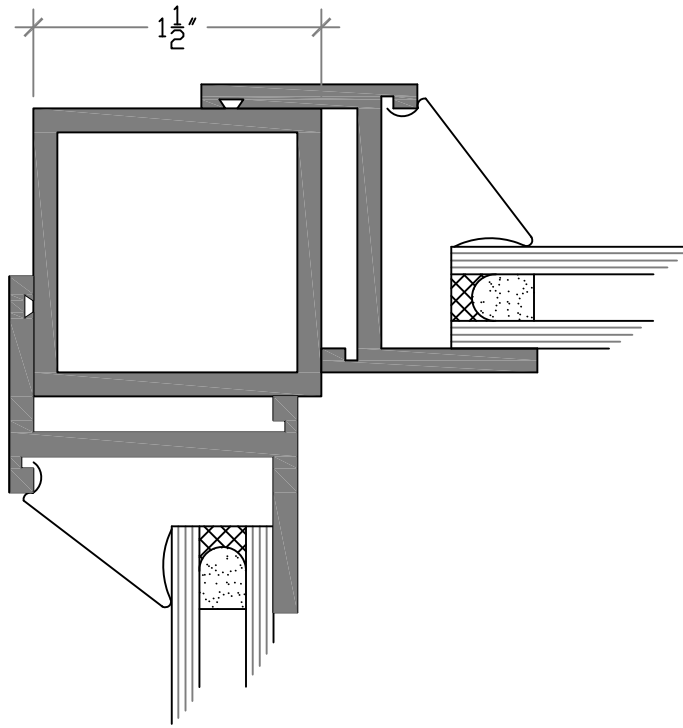
21

TUBE T @ DOUBLE VENT

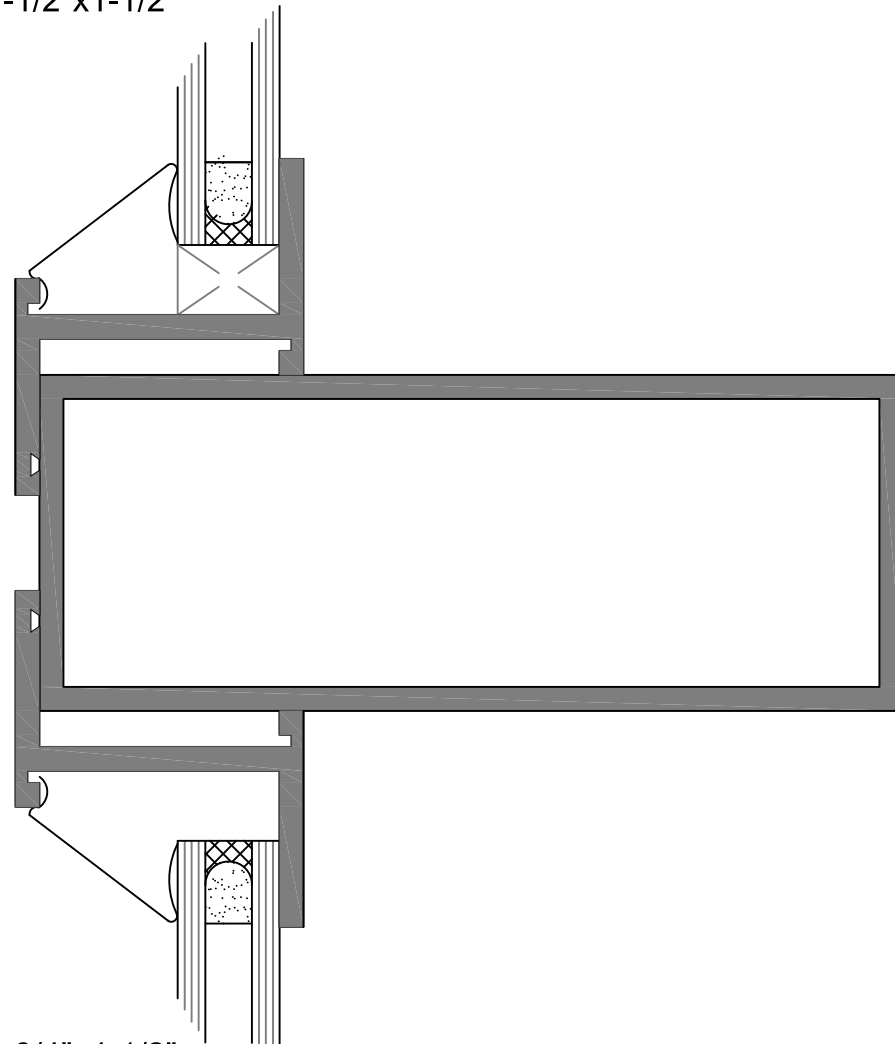


701 HOPPER WINDOW

BONELLI  
ENTERPRISES



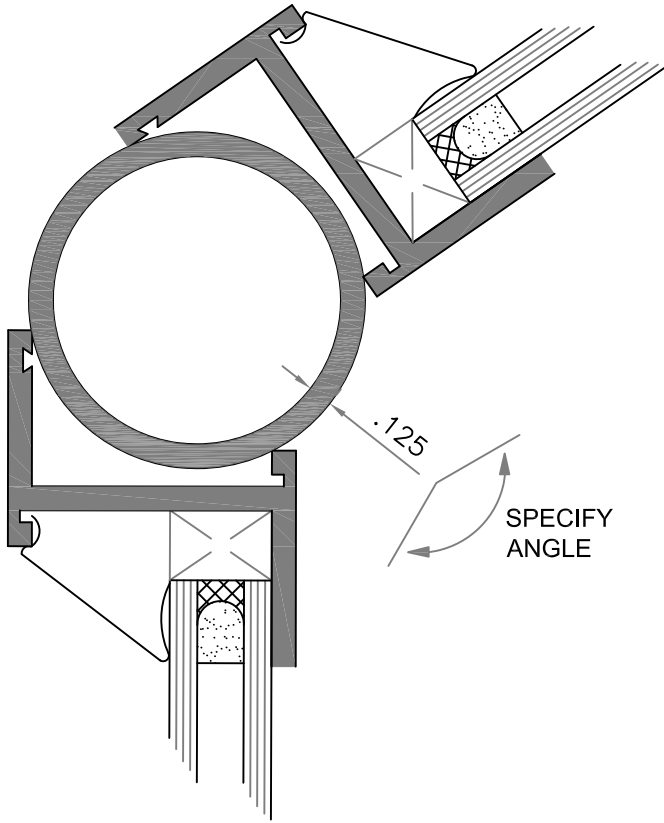
23 CORNER  
1-1/2"x1-1/2"



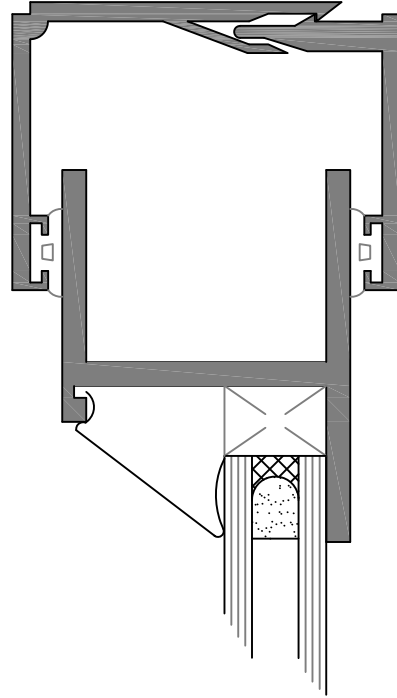
24 1-3/4"x4-1/2"  
TUBE-HIGH LOAD

700 SERIES ALUMINUM TUBE DETAIL

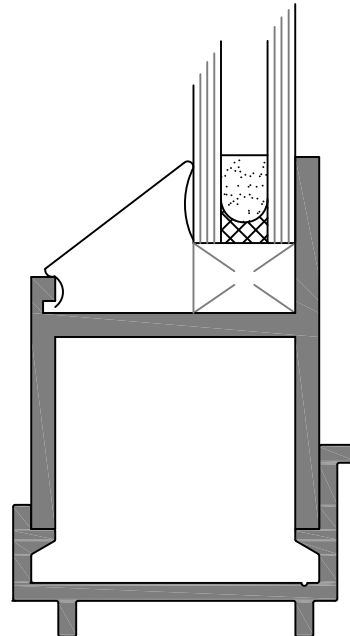
22 BAY CORNER MULLION



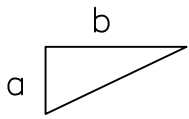
27 COMP CHANNEL HEAD AND JAMB



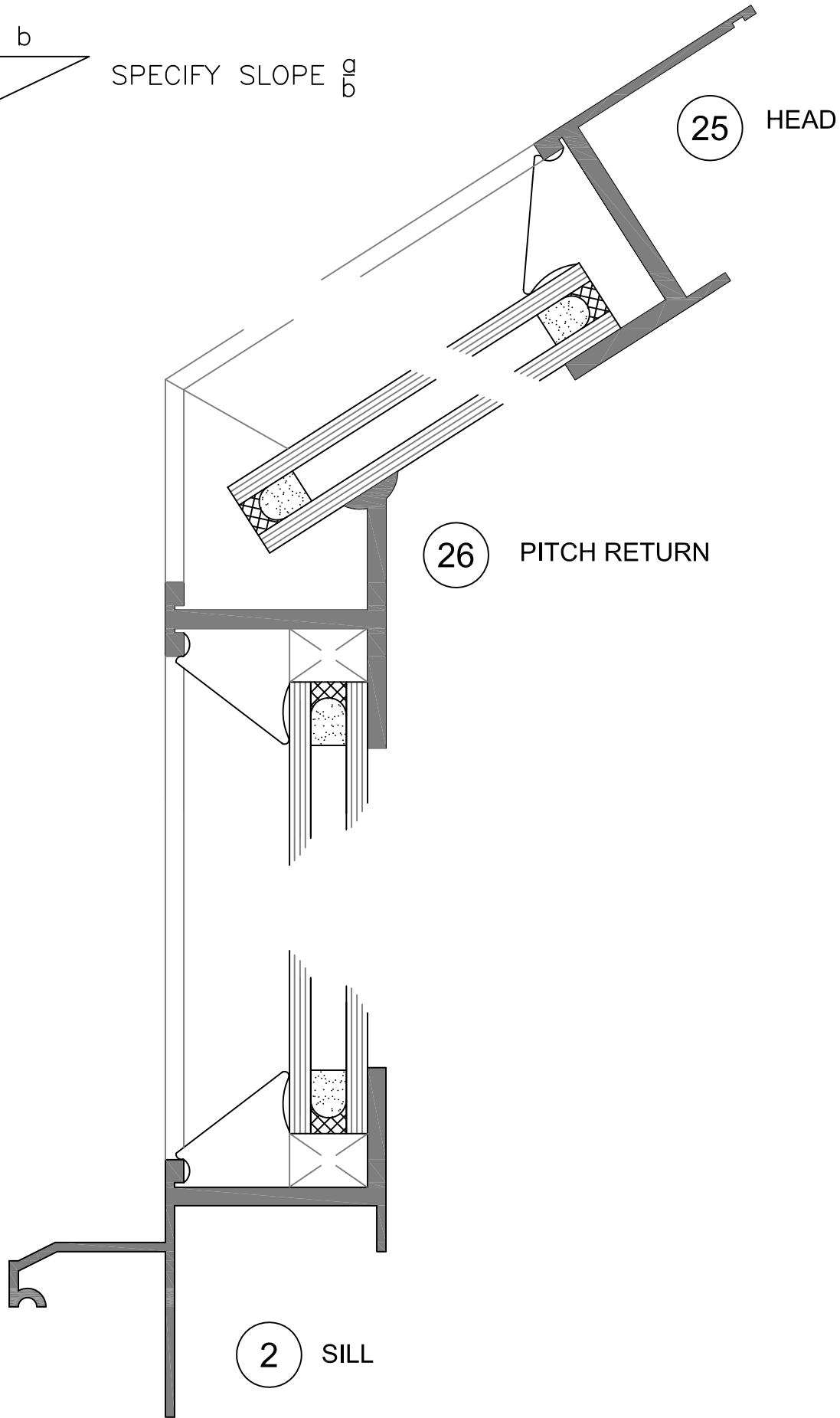
28 COMP CHANNEL SILL TRACK



701 SPECIAL APPLICATION

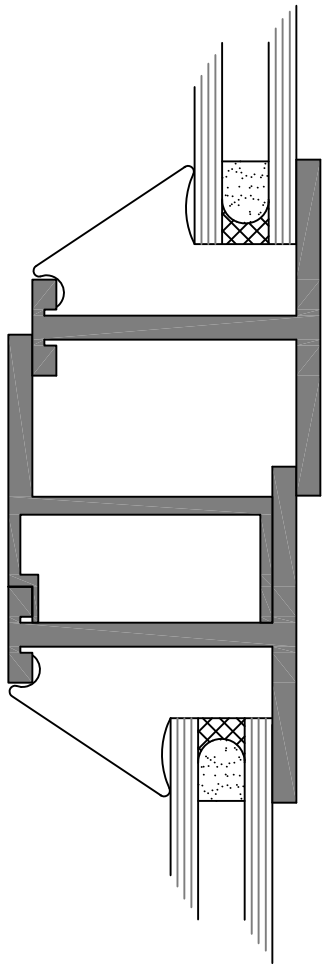


SPECIFY SLOPE  $\frac{a}{b}$

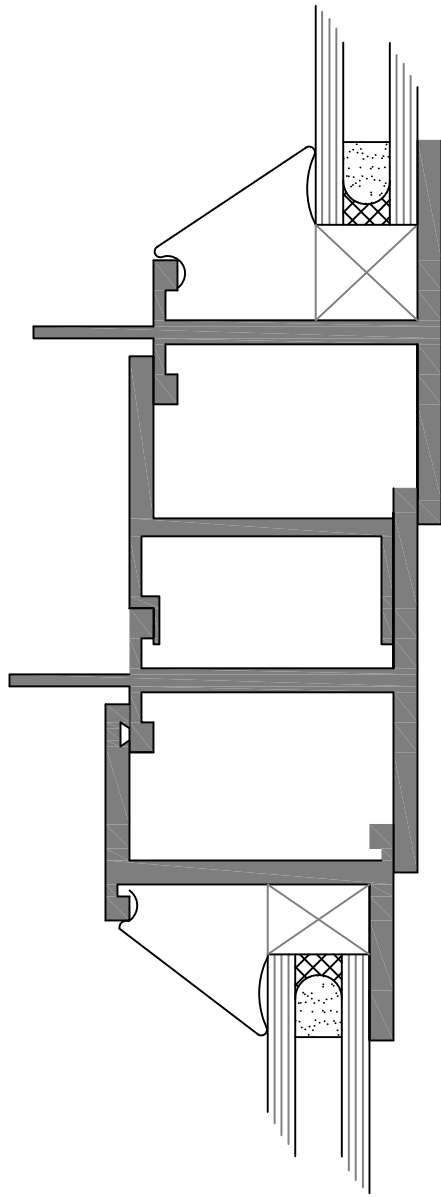


700 SERIES GREENHOUSE WINDOW

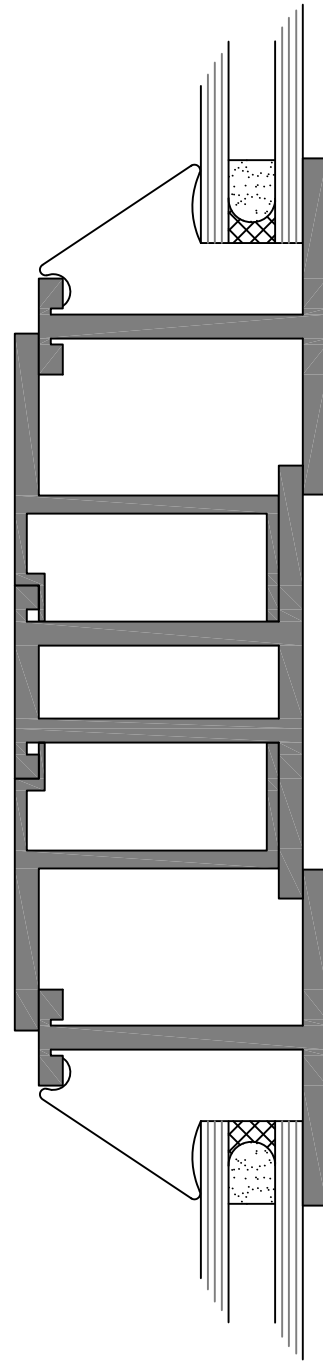
**BONELLI**  
**ENTERPRISES**



29 HOPPER  
BESIDE FIXED



30 HOPPER  
OVER CASEMENT

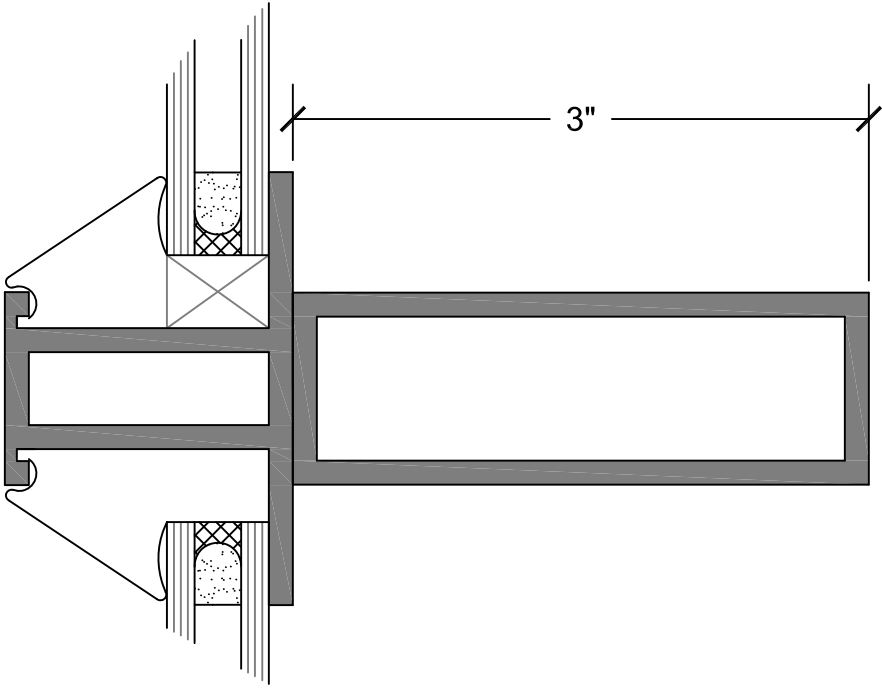


31 HOPPER BESIDE HOPPER  
WITH FIXED TRANSOM

700 SERIES HOPPER WINDOWS

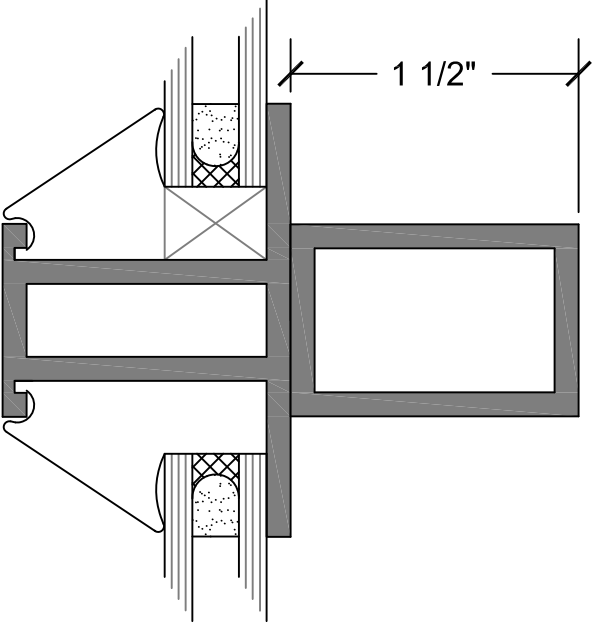
32

TUBE T  
W/ 1" X 3"  
ALUM. TUBE



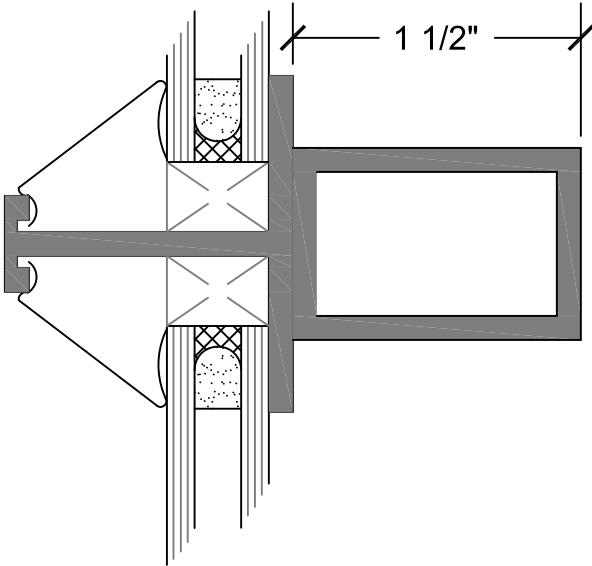
33

TUBE T  
W/ 1" x 1-1/2"  
TUBE

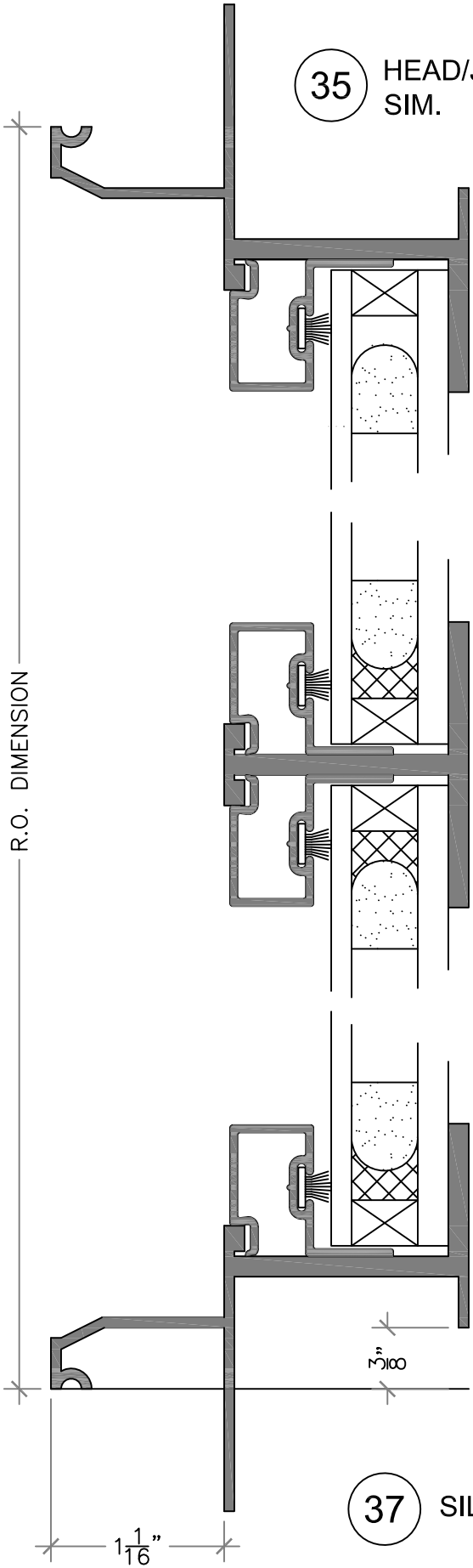


34

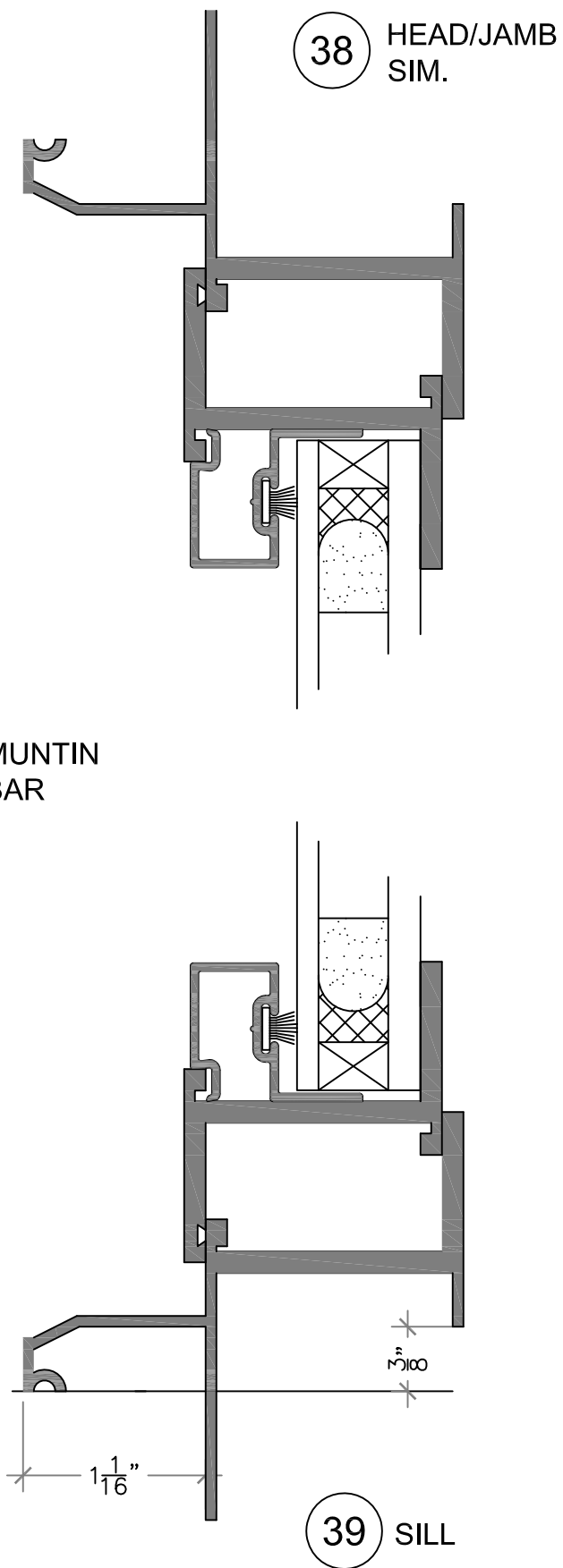
T-BAR  
W/ 1" x 1-1/2"  
TUBE



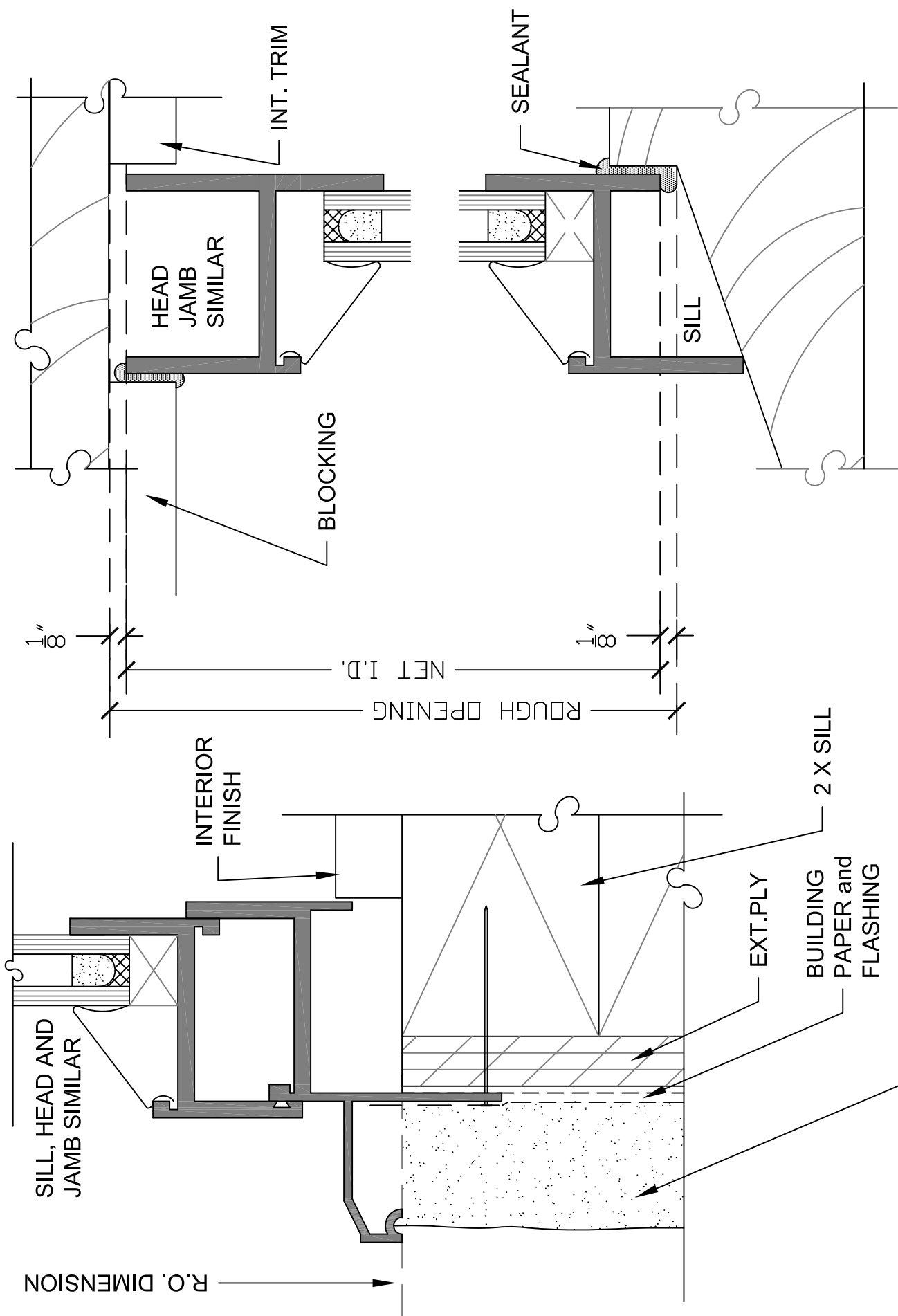
700 SERIES REINFORCEMENT TUBES



36 MUNTIN BAR

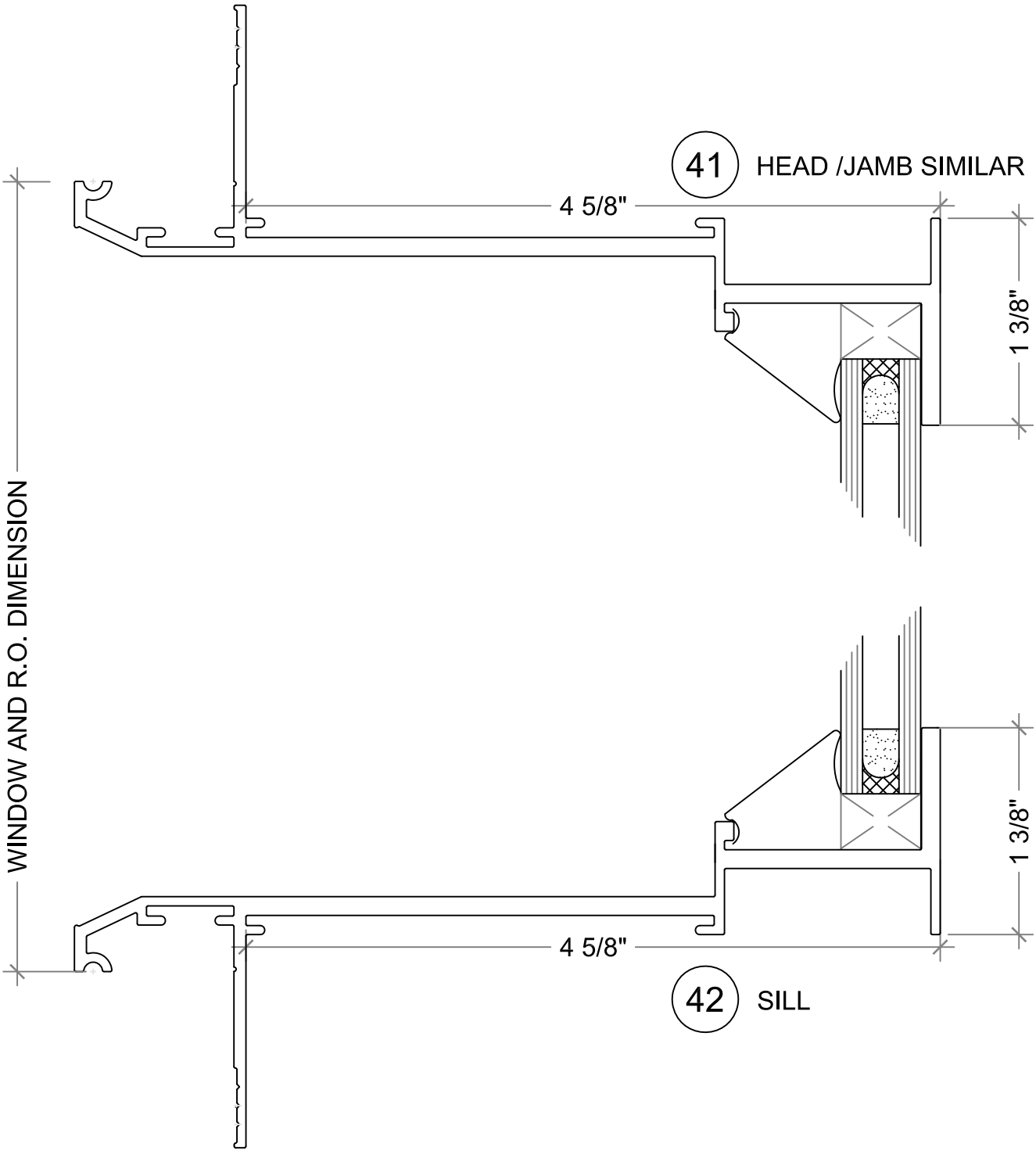


700 WITH EXTRUDED BEAD

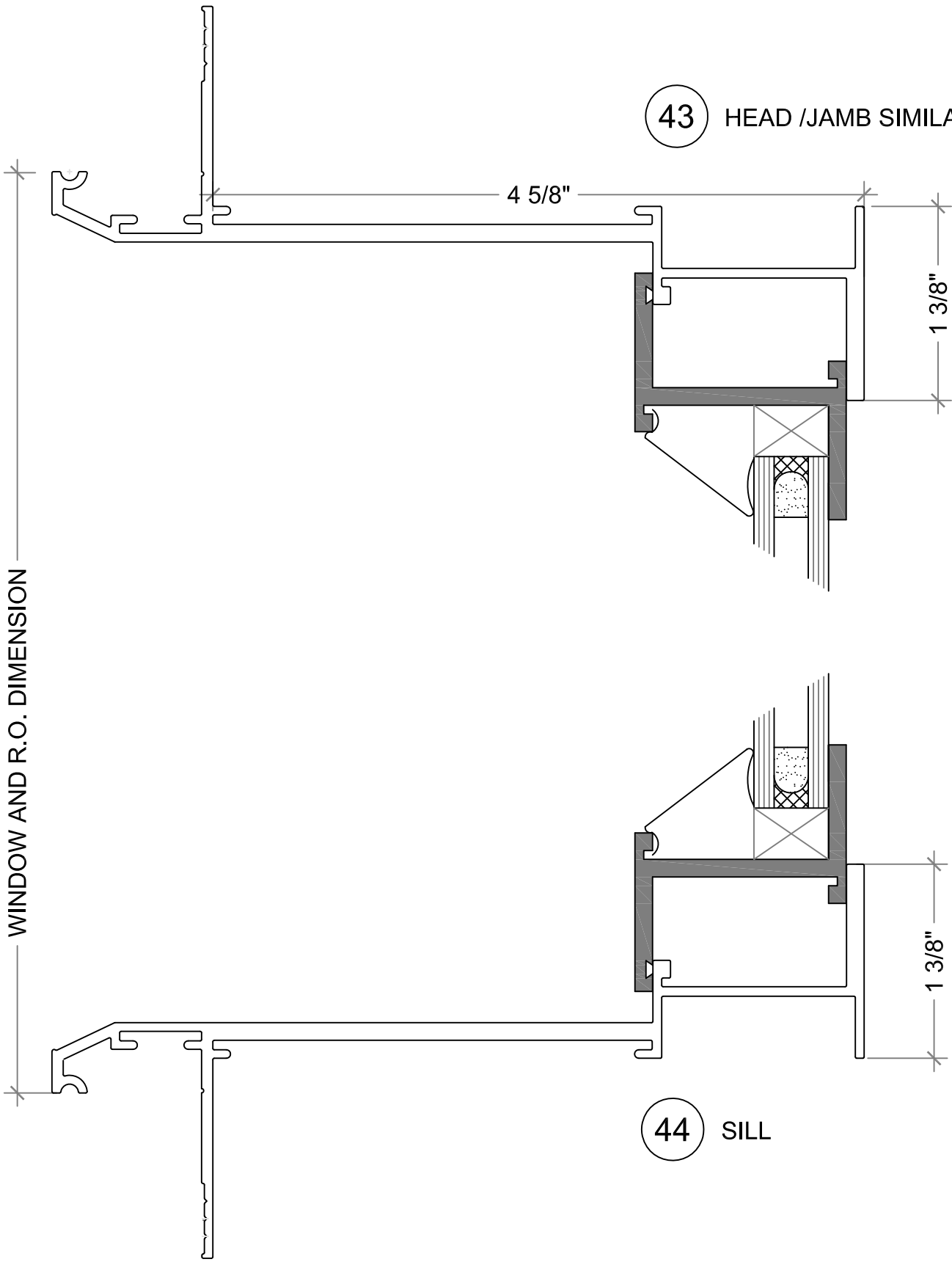


701 REPLACEMENT  
TYPICAL INSTALLATION

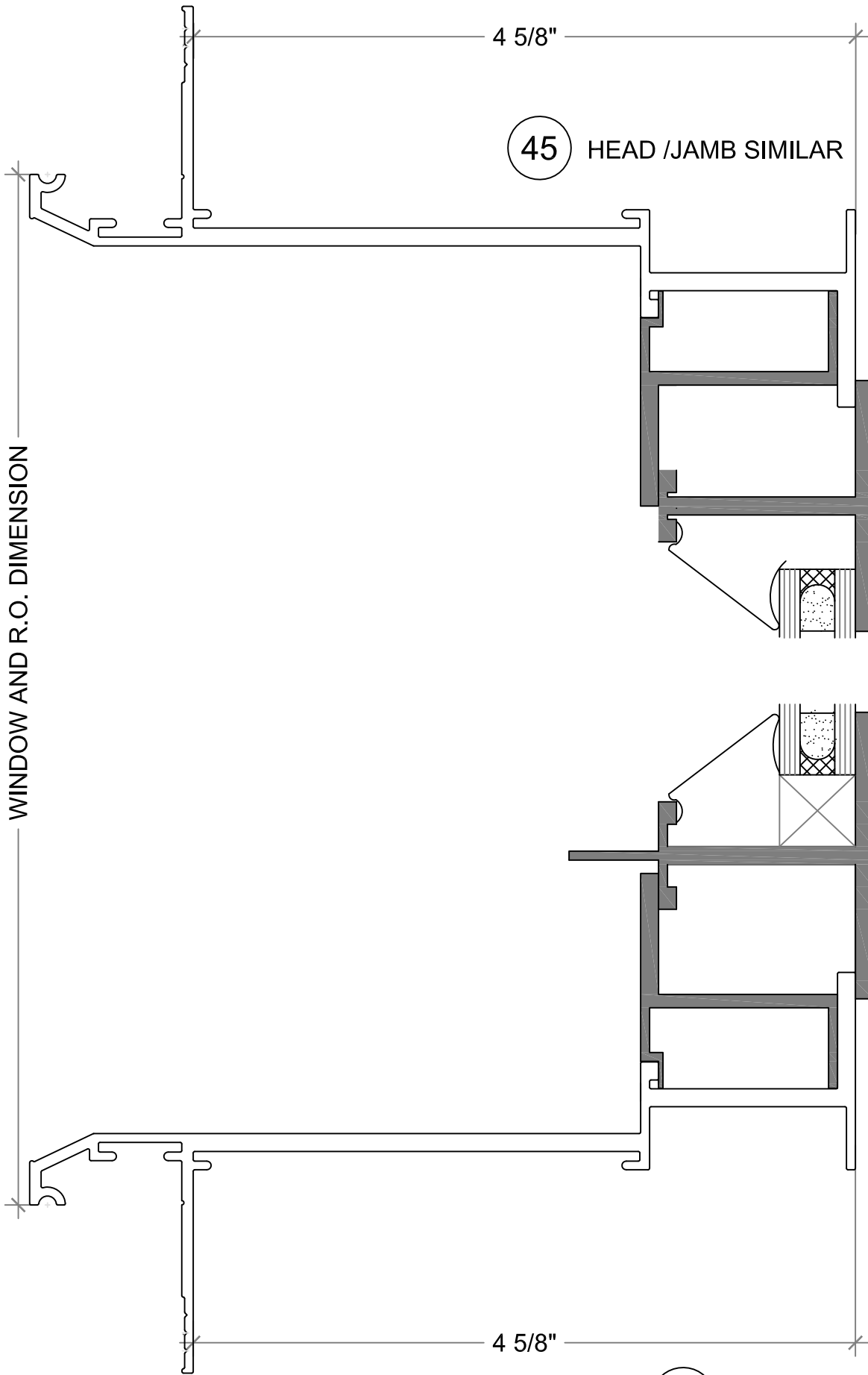
700 NAIL ON  
TYPICAL INSTALLATION



2700 SERIES FIXED RECESSED NAIL FIN WINDOW



BONELLI ENTERPRISES 700R SERIES CASEMENT AND AWNING RECESSED NAIL FIN WINDOW



2700 SERIES HOPPER RECESSED NAIL FIN WINDOW