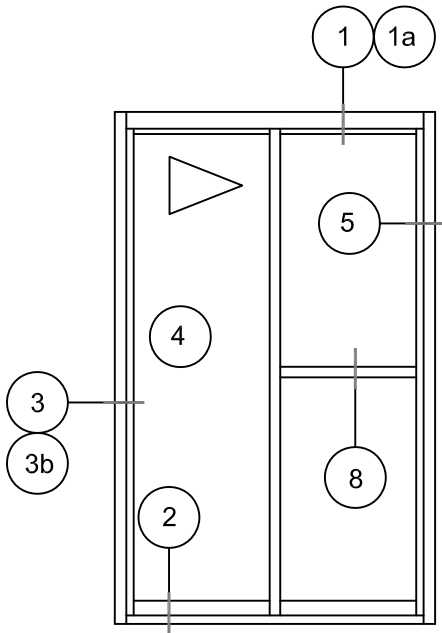
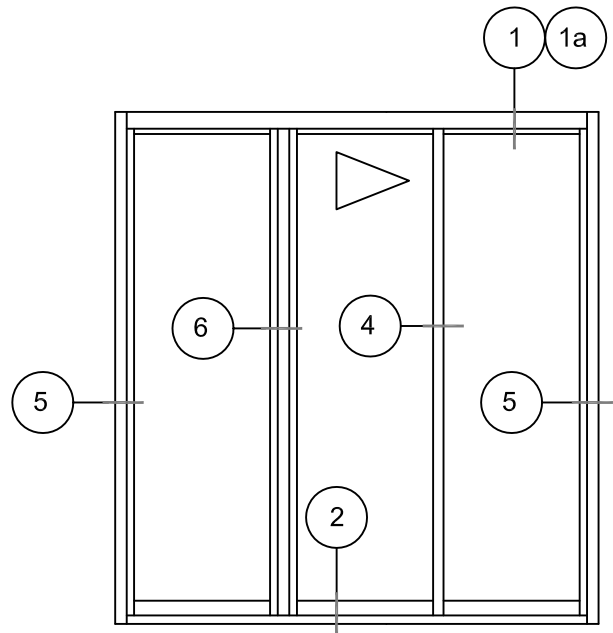


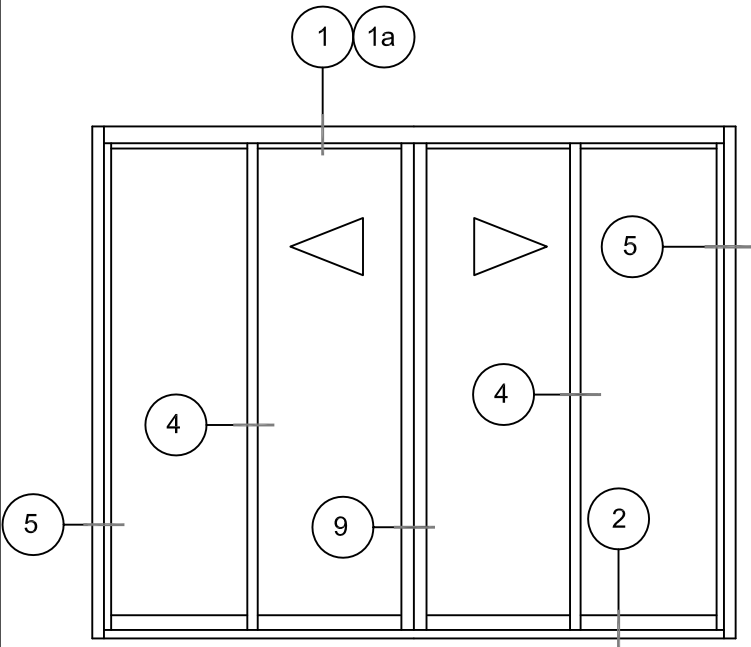
800S SERIES THERMAL GLASS SLIDING DOOR



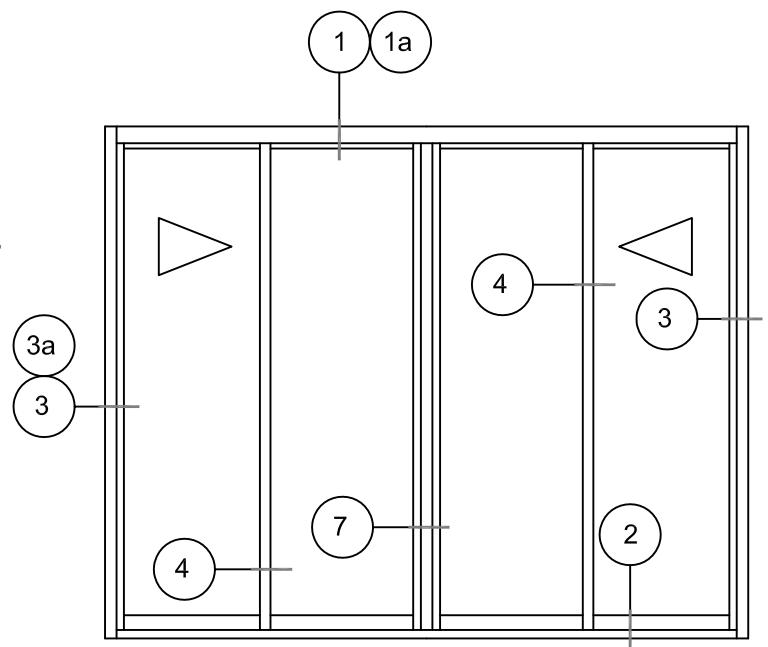
XO DOOR SHOWN



OXO DOOR SHOWN

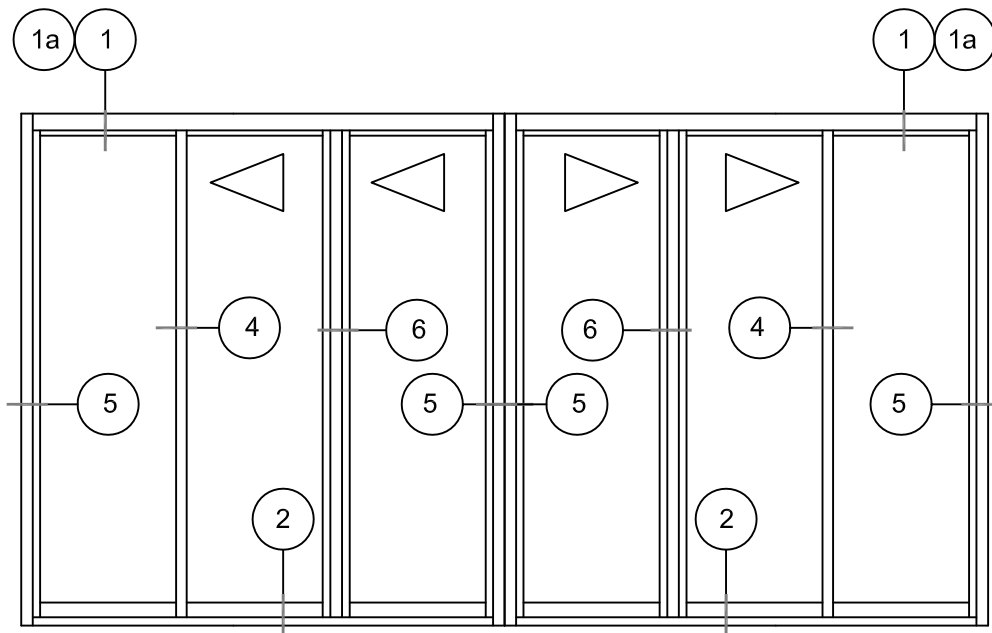


OXXO DOOR SHOWN

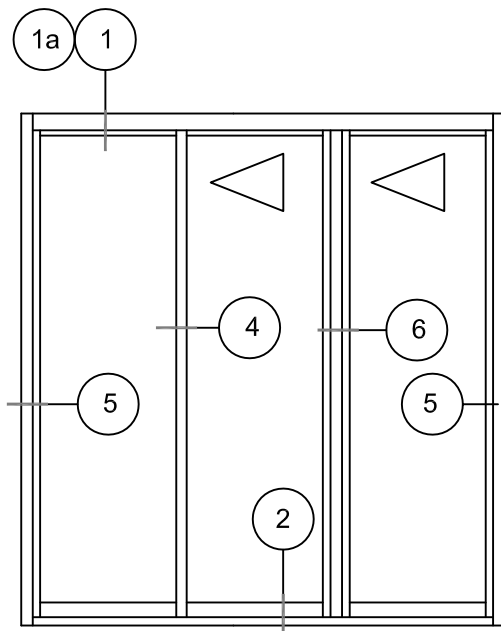


XOOX DOOR SHOWN

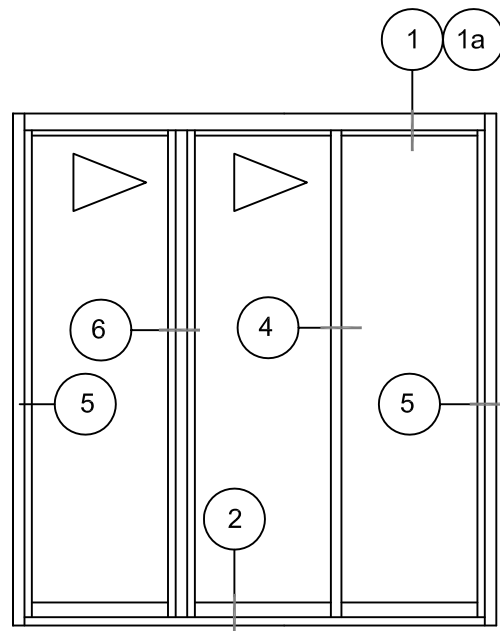
800MS SERIES THERMAL MULTI SLIDE DOOR



OXXXXO DOOR SHOWN

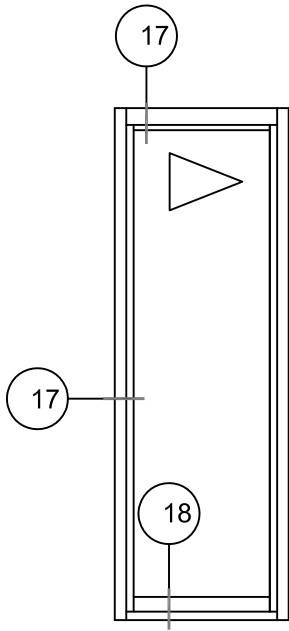


OXX DOOR SHOWN

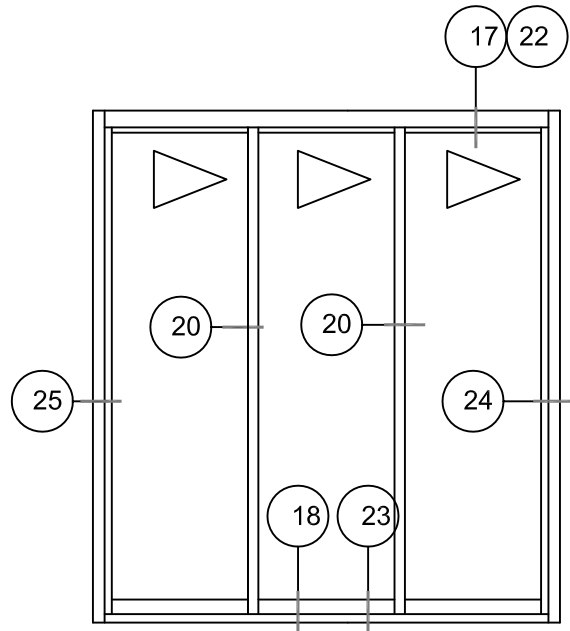


XXO DOOR SHOWN

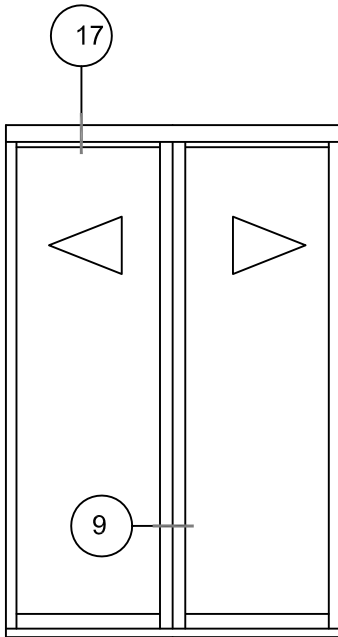
800P SERIES THERMAL GLASS POCKET DOOR



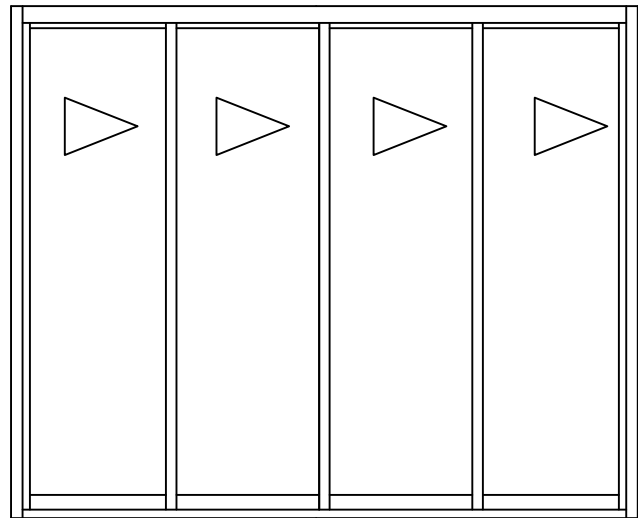
X DOOR SHOWN



XXX DOOR SHOWN



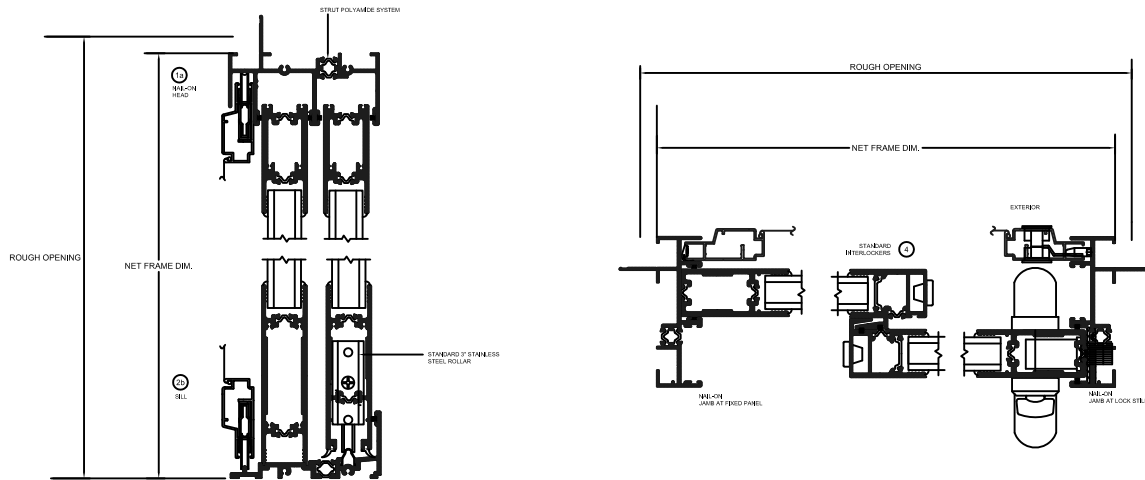
XX DOOR SHOWN



XXXX DOOR SHOWN

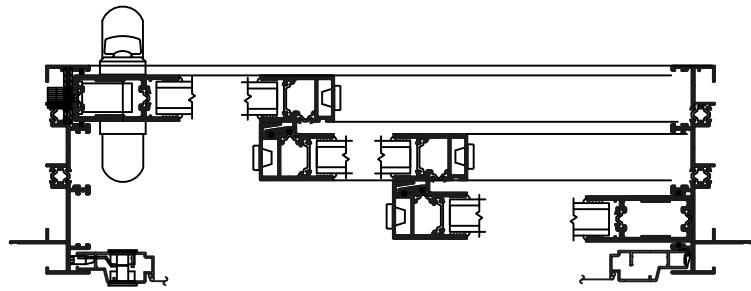
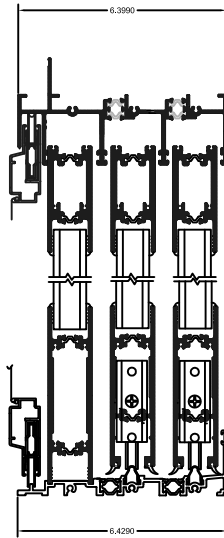
DETAILS: 800S SERIES THERMAL GLASS SLIDING DOOR

DETAIL SECTION 1



DETAILS: 800MS SERIES THERMAL MULTI SLIDE DOOR

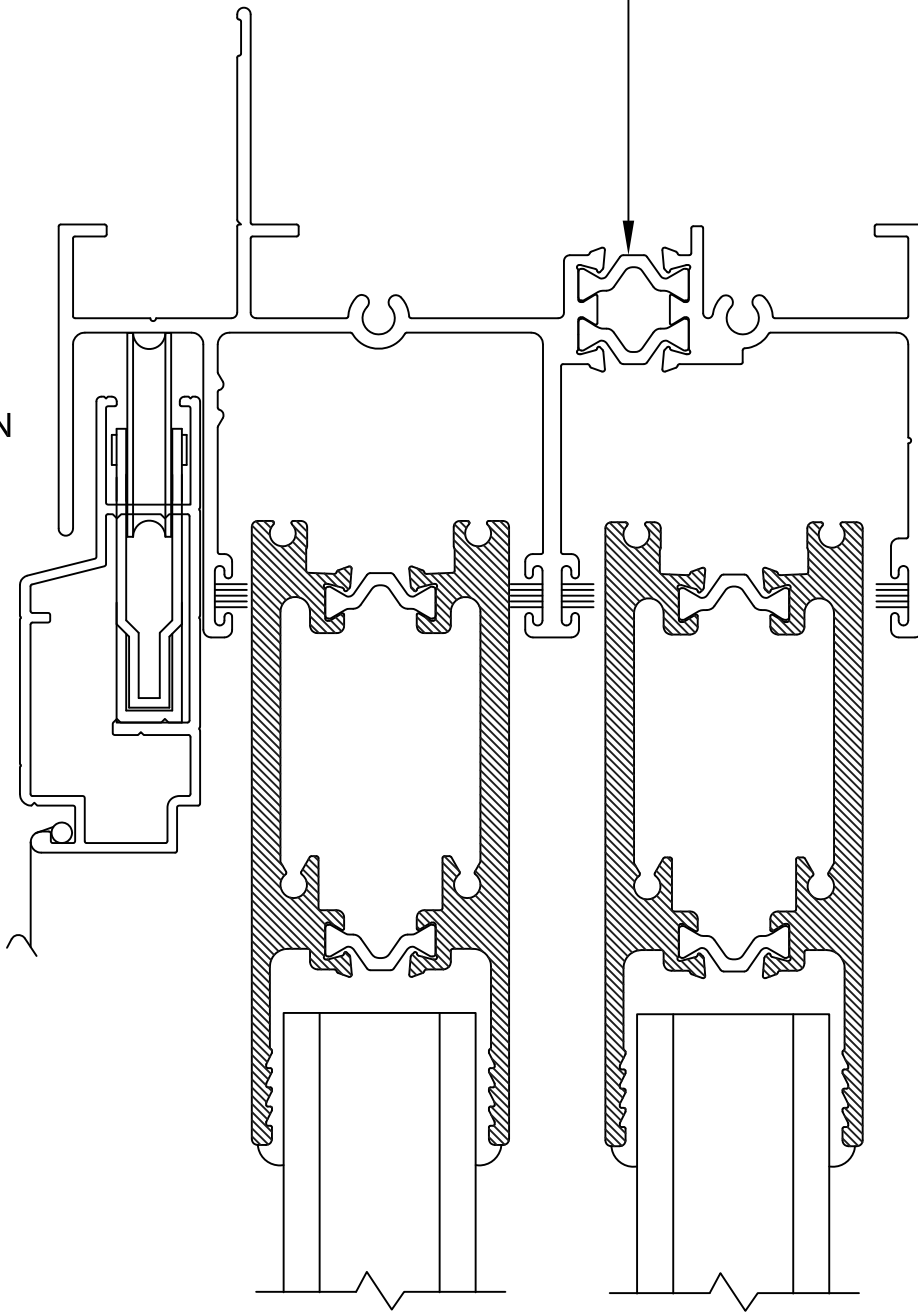
DETAIL SECTION 2



1a

NAIL-ON
HEAD

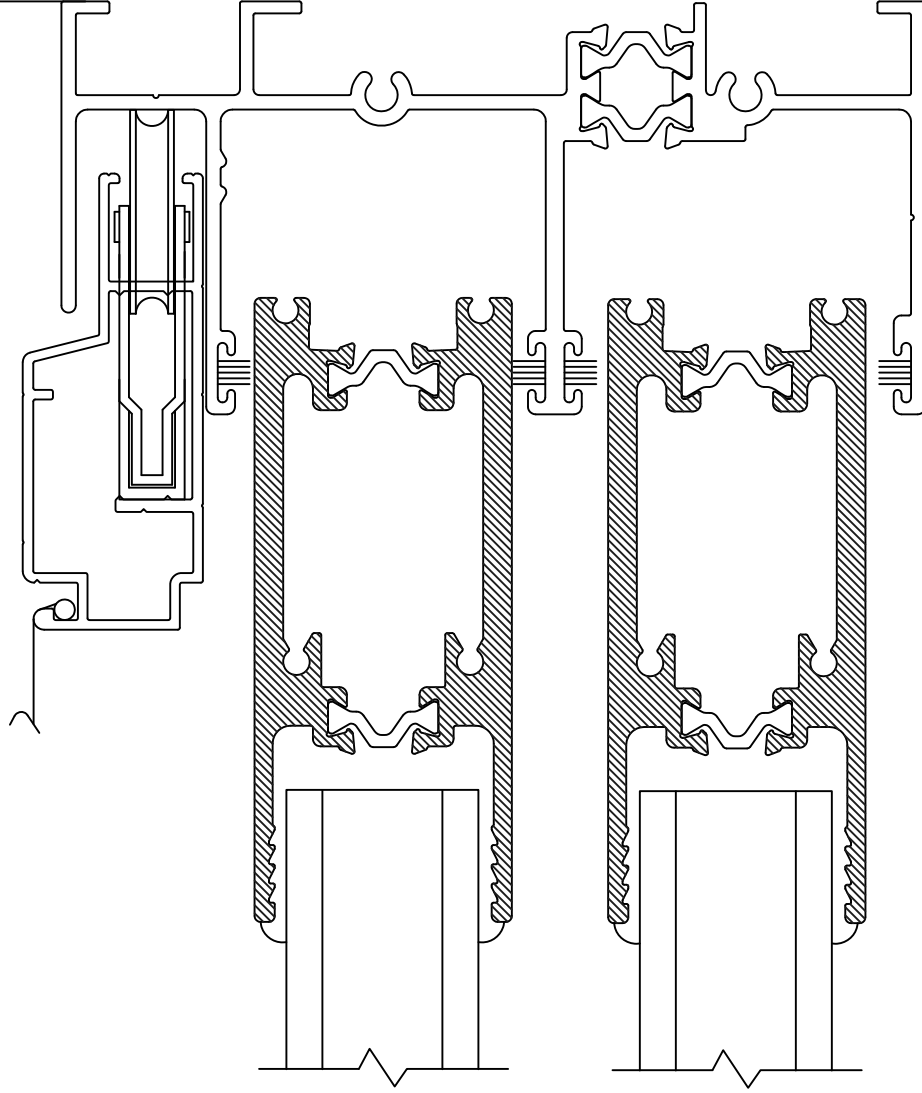
STRUT POLYAMIDE SYSTEM



800S SERIES THERMAL GLASS SLIDING DOOR

BONELLI
ENTERPRISES

NET FRAME DIM.



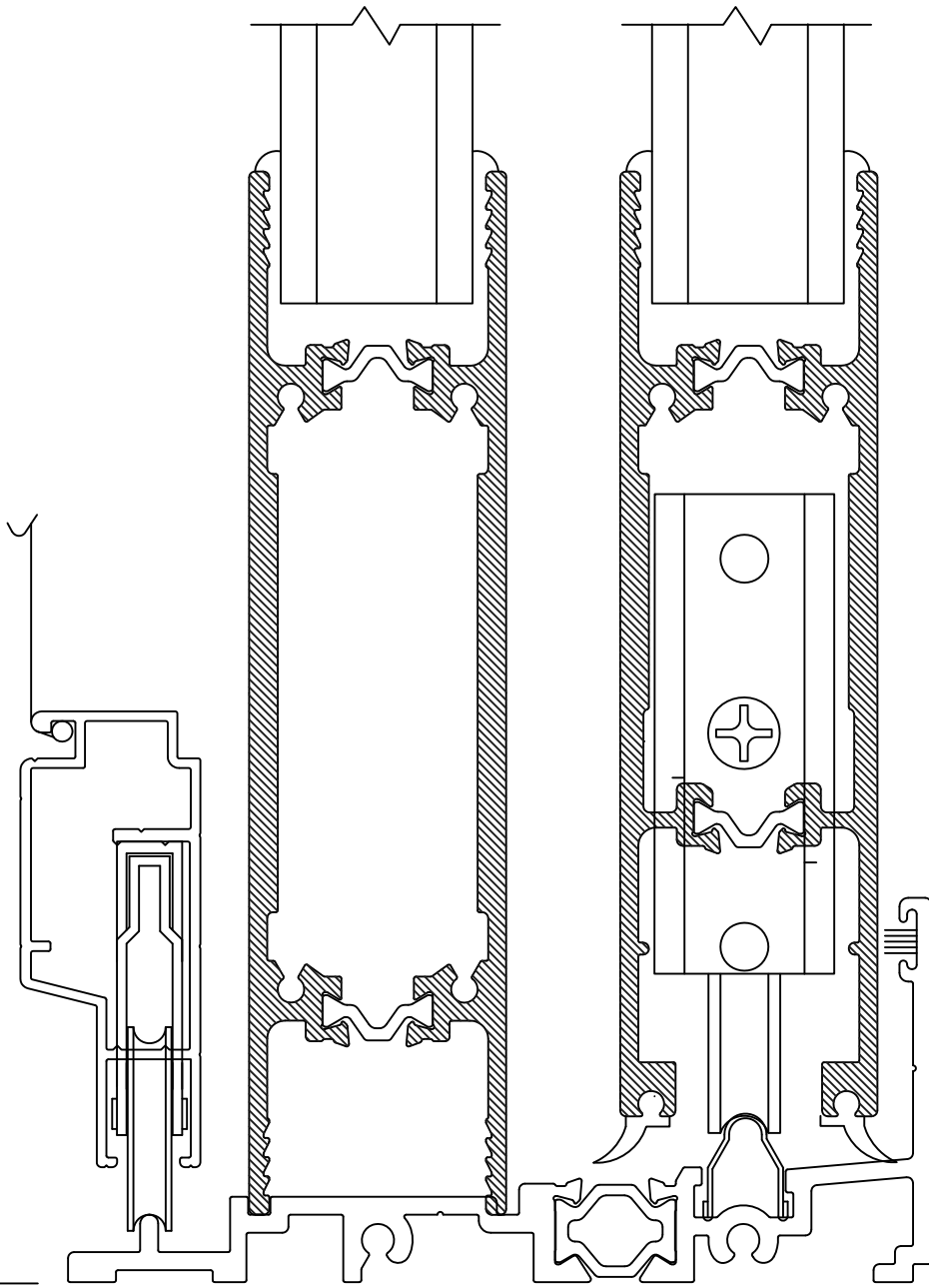
1

BLOCK FRAME
HEAD

801S SERIES THERMAL GLASS SLIDING DOOR

BONELLI
ENTERPRISES

NET FRAME DIM.



2

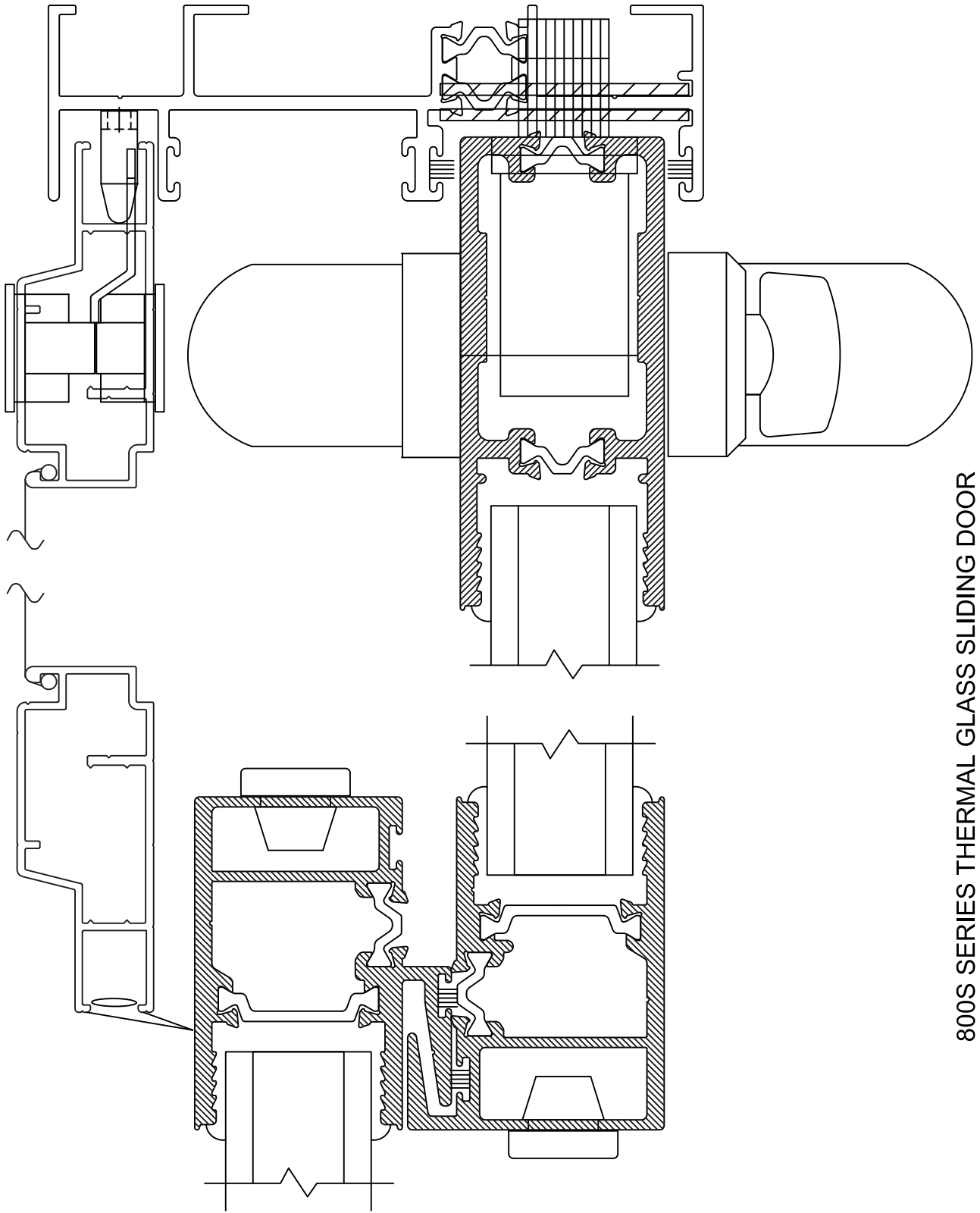
STANDARD SILL

800S SERIES THERMAL GLASS SLIDING DOOR

BONELLI
ENTERPRISES

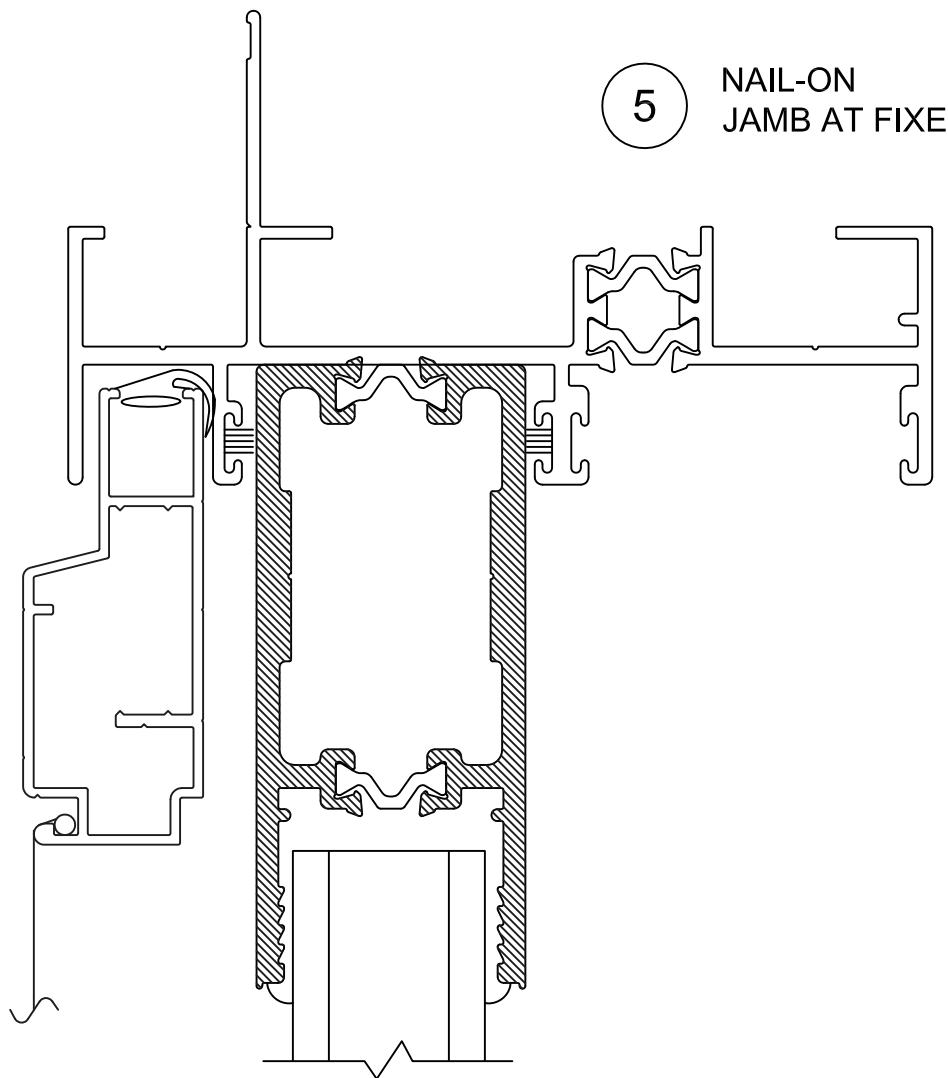
EXTERIOR

3 BLOCK FRAME AT LOCK JAMB

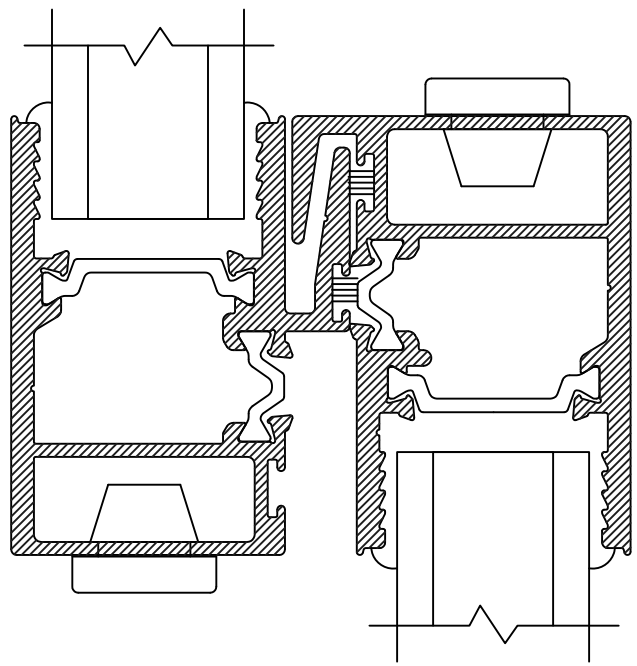


4 STANDARD INTERLOCKERS

800S SERIES THERMAL GLASS SLIDING DOOR



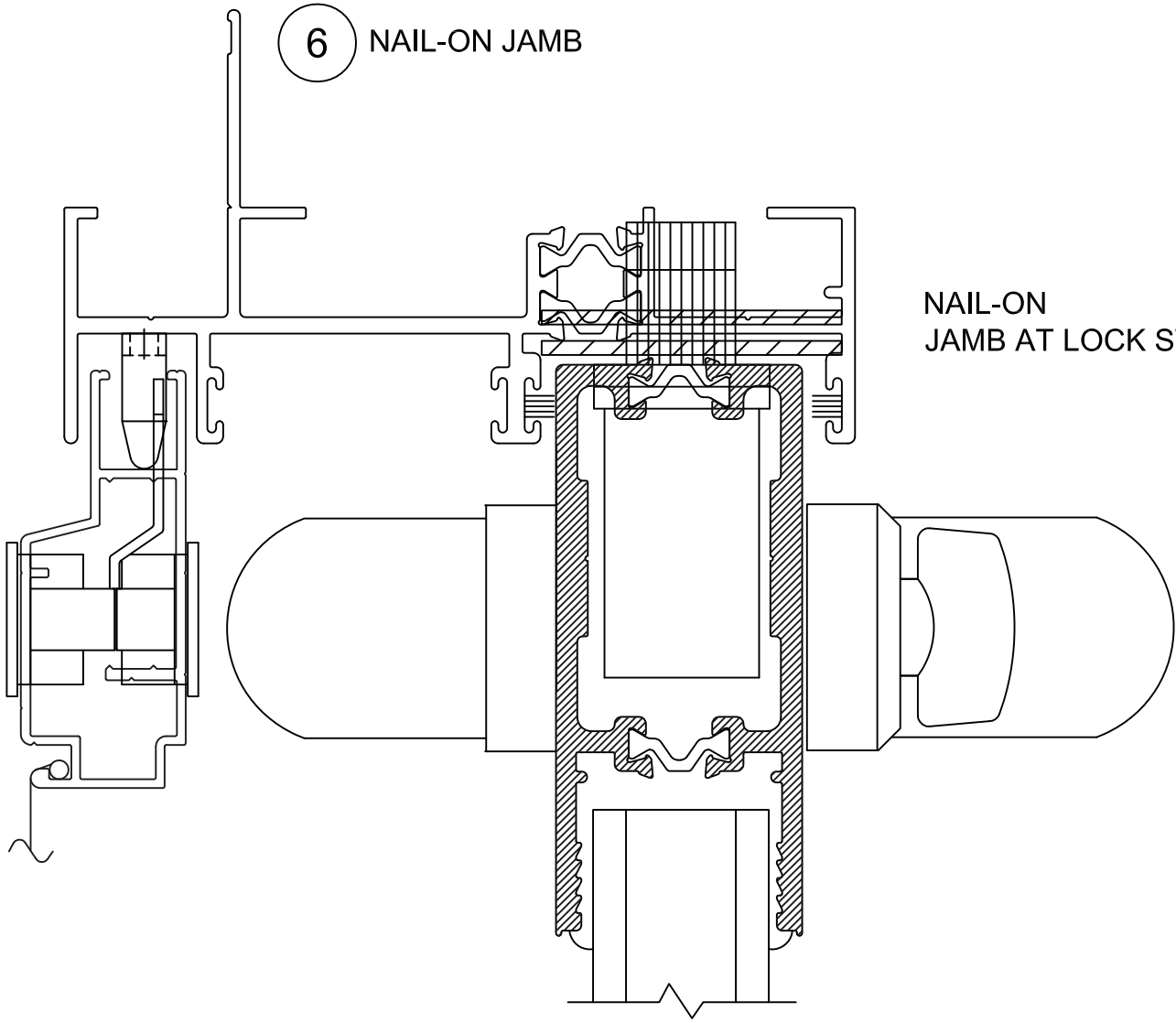
5 NAIL-ON
JAMB AT FIXED PANEL



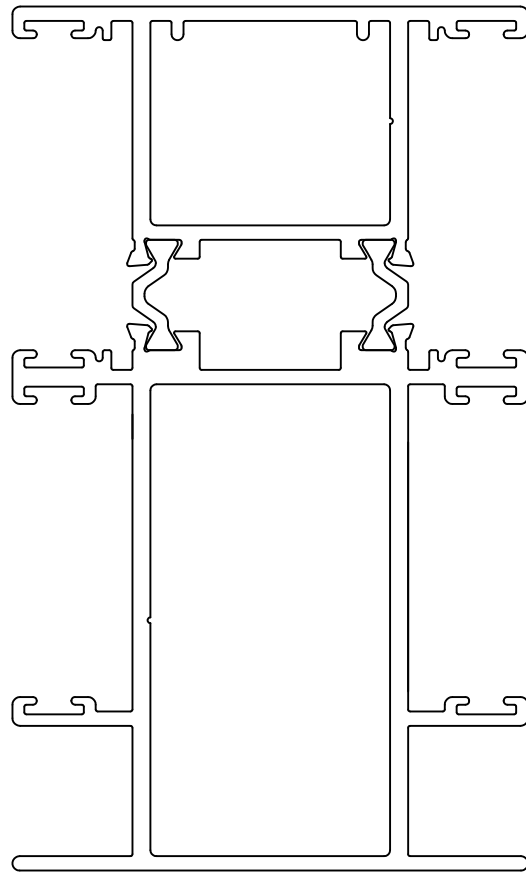
4 STANDARD
INTERLOCKERS

800S SERIES THERMAL GLASS SLIDING DOOR

EXTERIOR

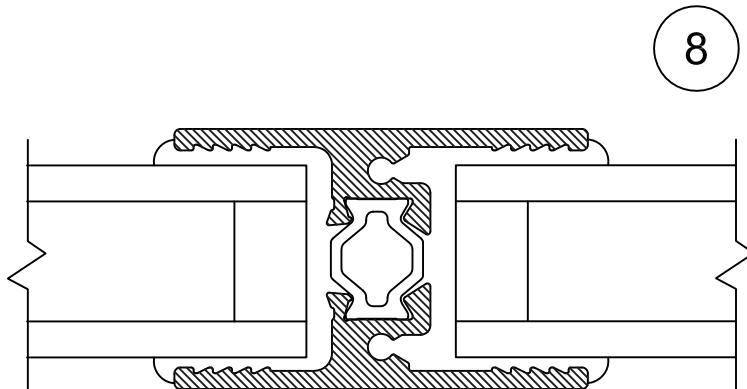


NAIL-ON
JAMB AT LOCK STILE



7 FIXED PANELS
FALSE JAMB

EXTERIOR

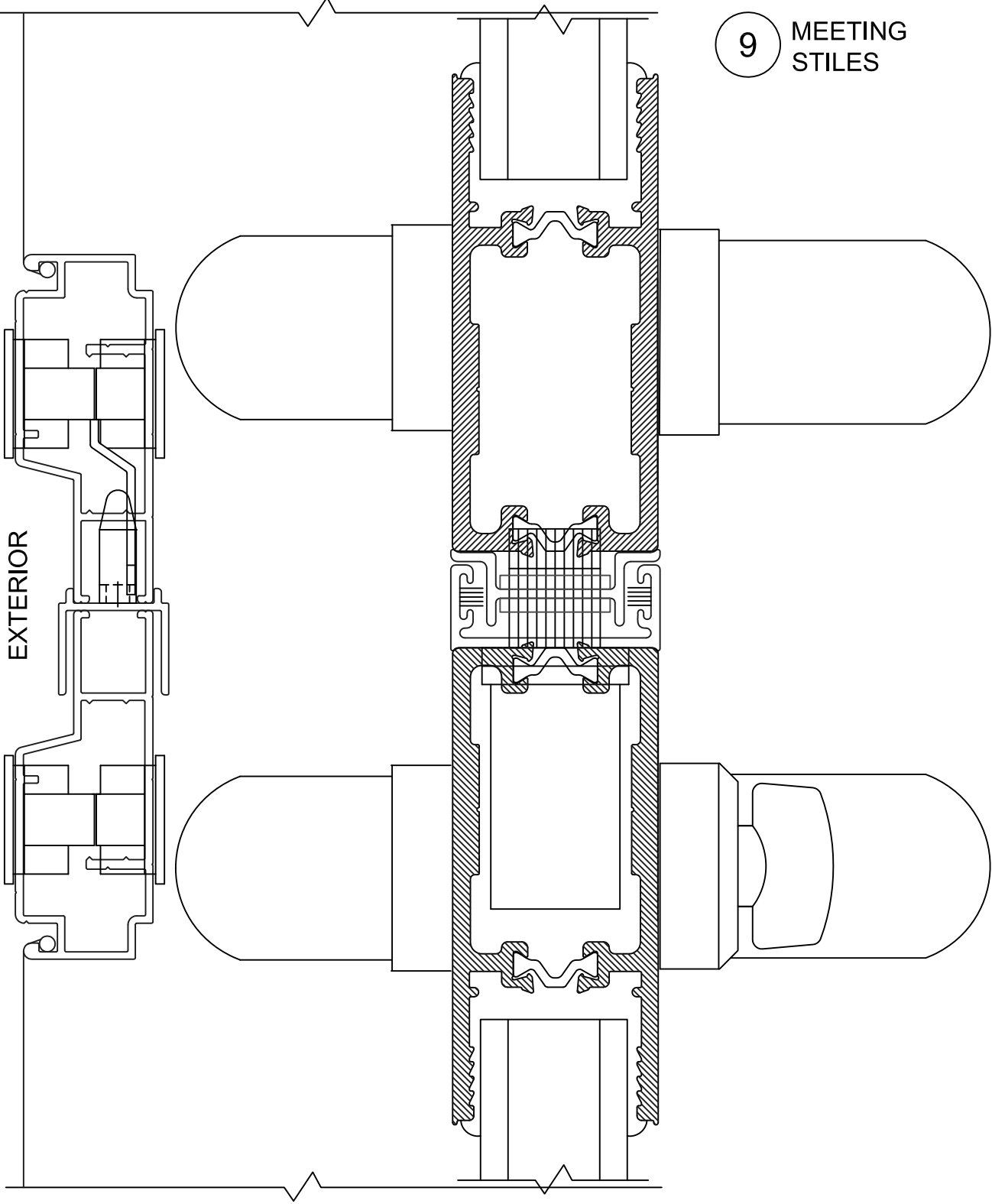


8 MUNTIN BAR

EXTERIOR

800S SERIES THERMAL GLASS SLIDING DOOR

BONELLI
ENTERPRISES

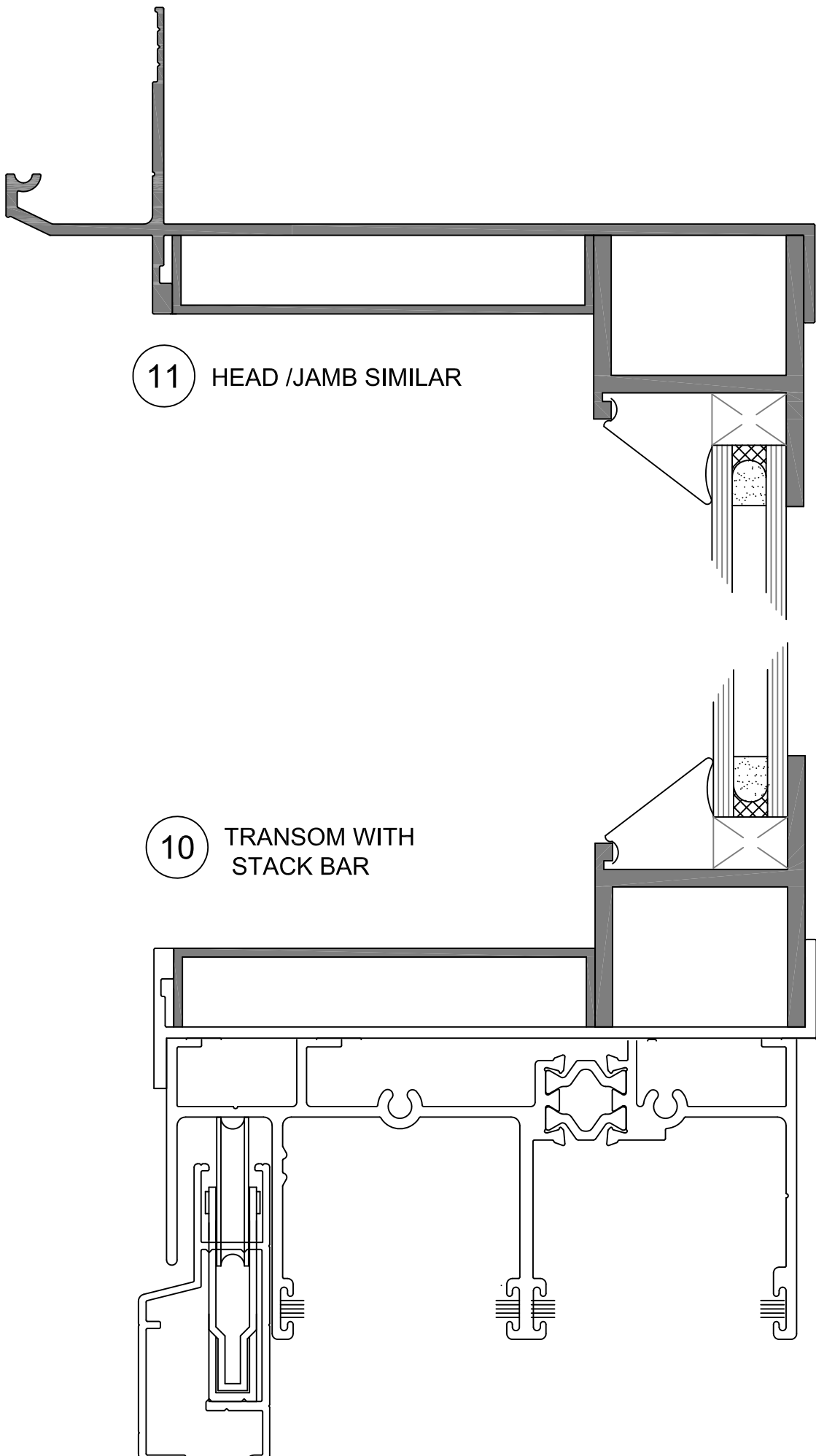


9 MEETING STILES

EXTERIOR

800S SERIES THERMAL GLASS SLIDING DOOR

BONELLI
ENTERPRISES



11 HEAD / JAMB SIMILAR

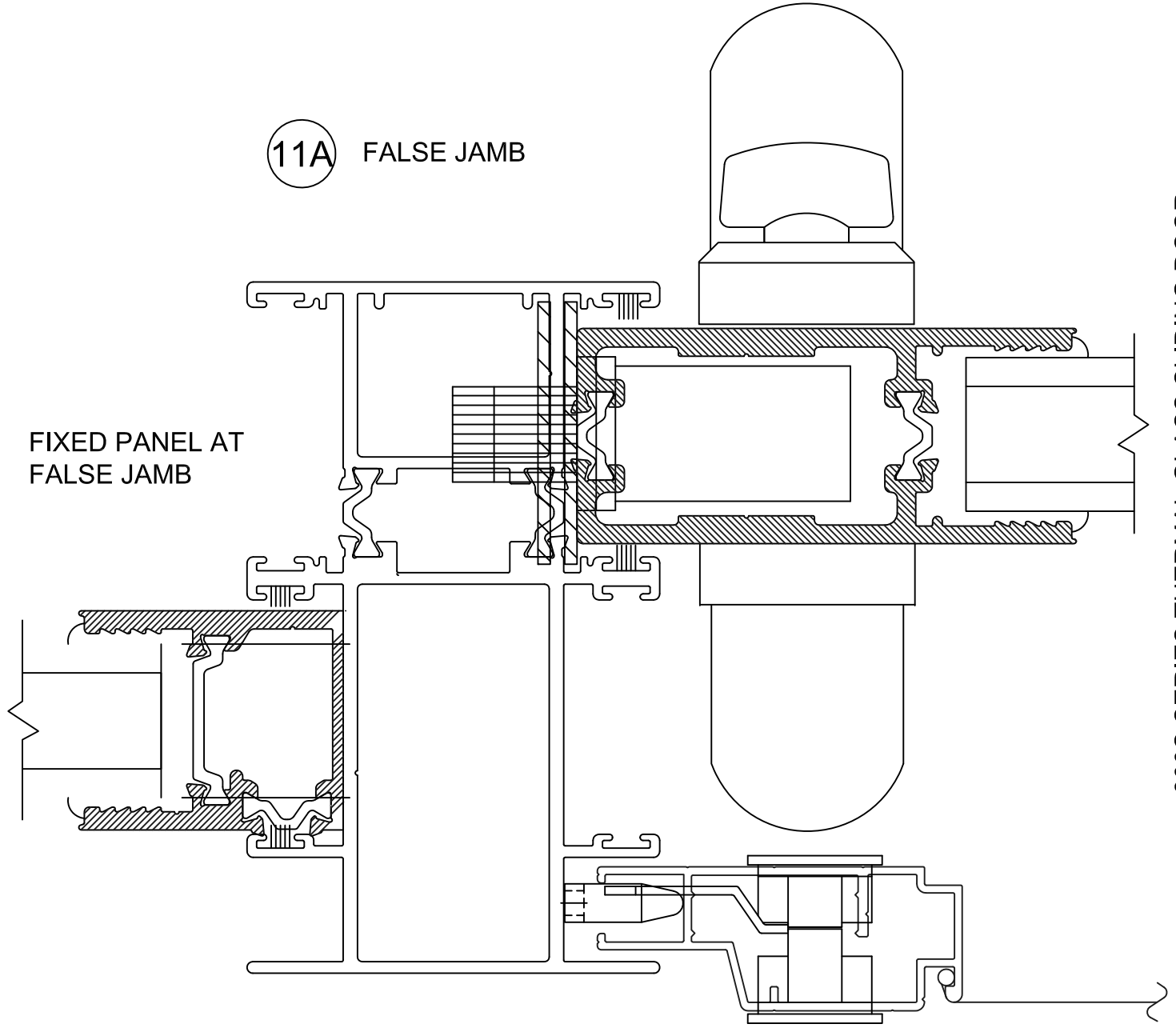
10 TRANSOM WITH STACK BAR

800S SERIES THERMAL GLASS SLIDING DOOR

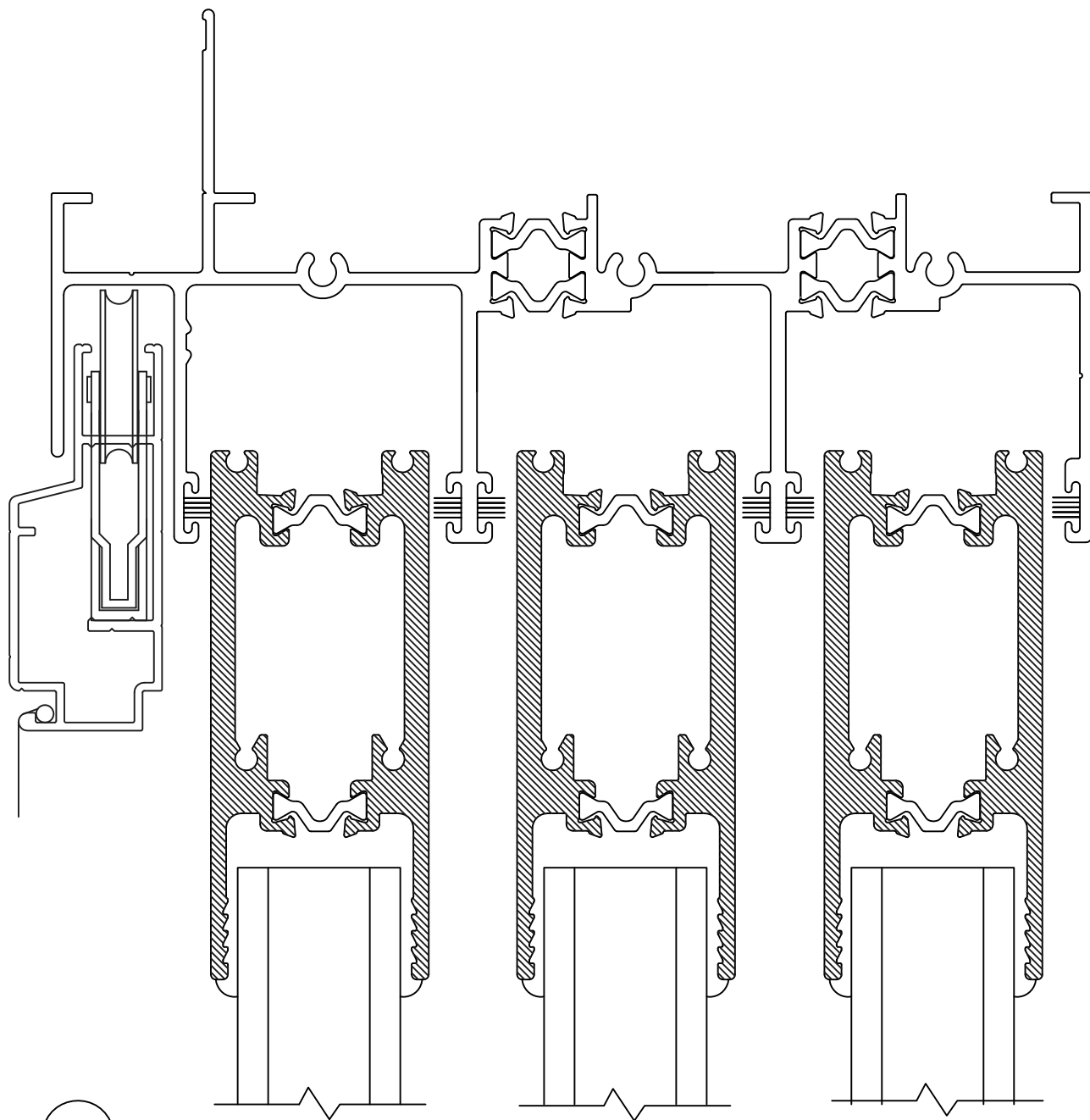
BONELLI
ENTERPRISES

11A FALSE JAMB

FIXED PANEL AT
FALSE JAMB



800S SERIES THERMAL GLASS SLIDING DOOR



12

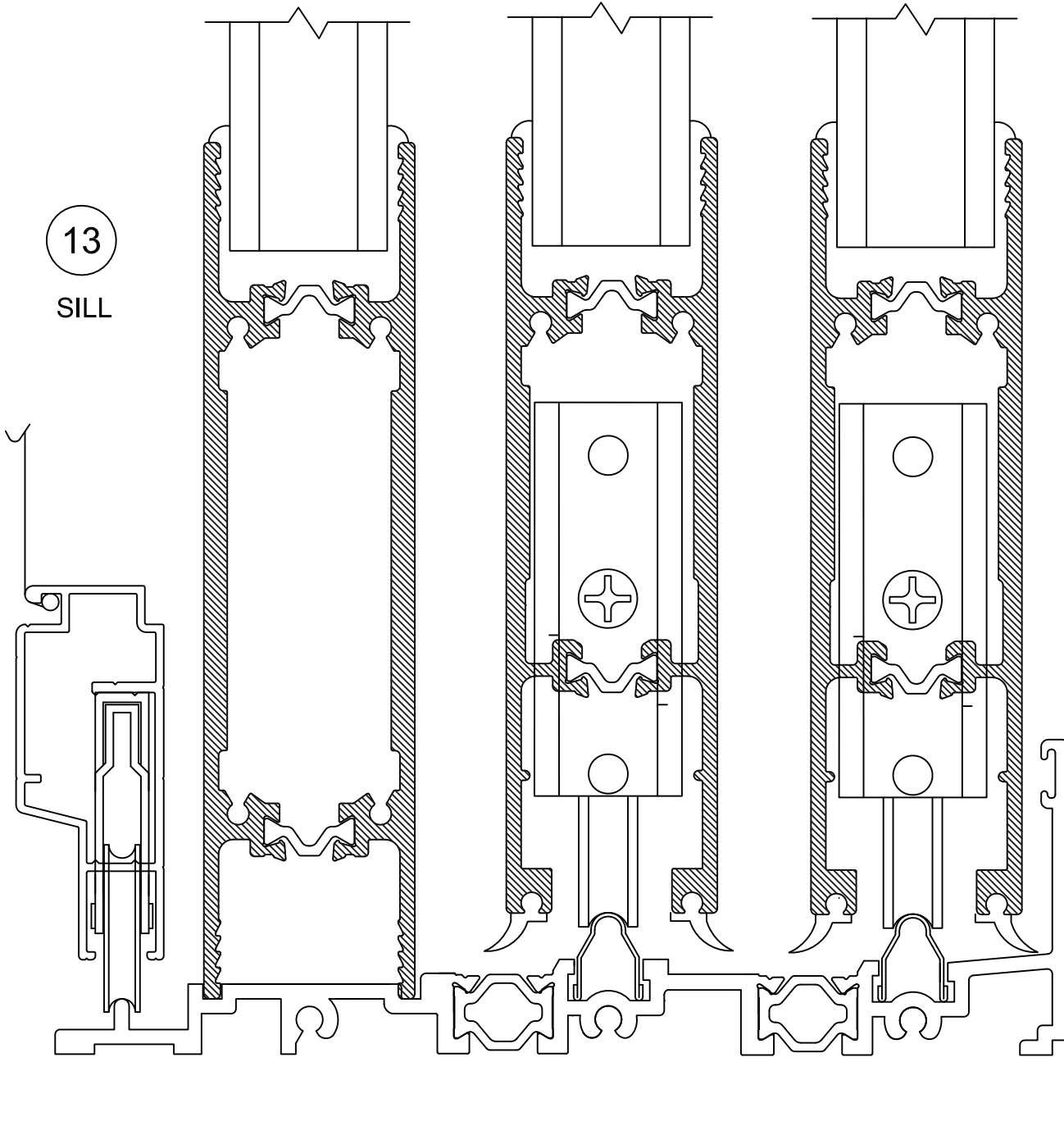
NAIL-ON
HEAD

800MS SERIES THERMAL MULTI SLIDE DOOR

BONELLI
ENTERPRISES

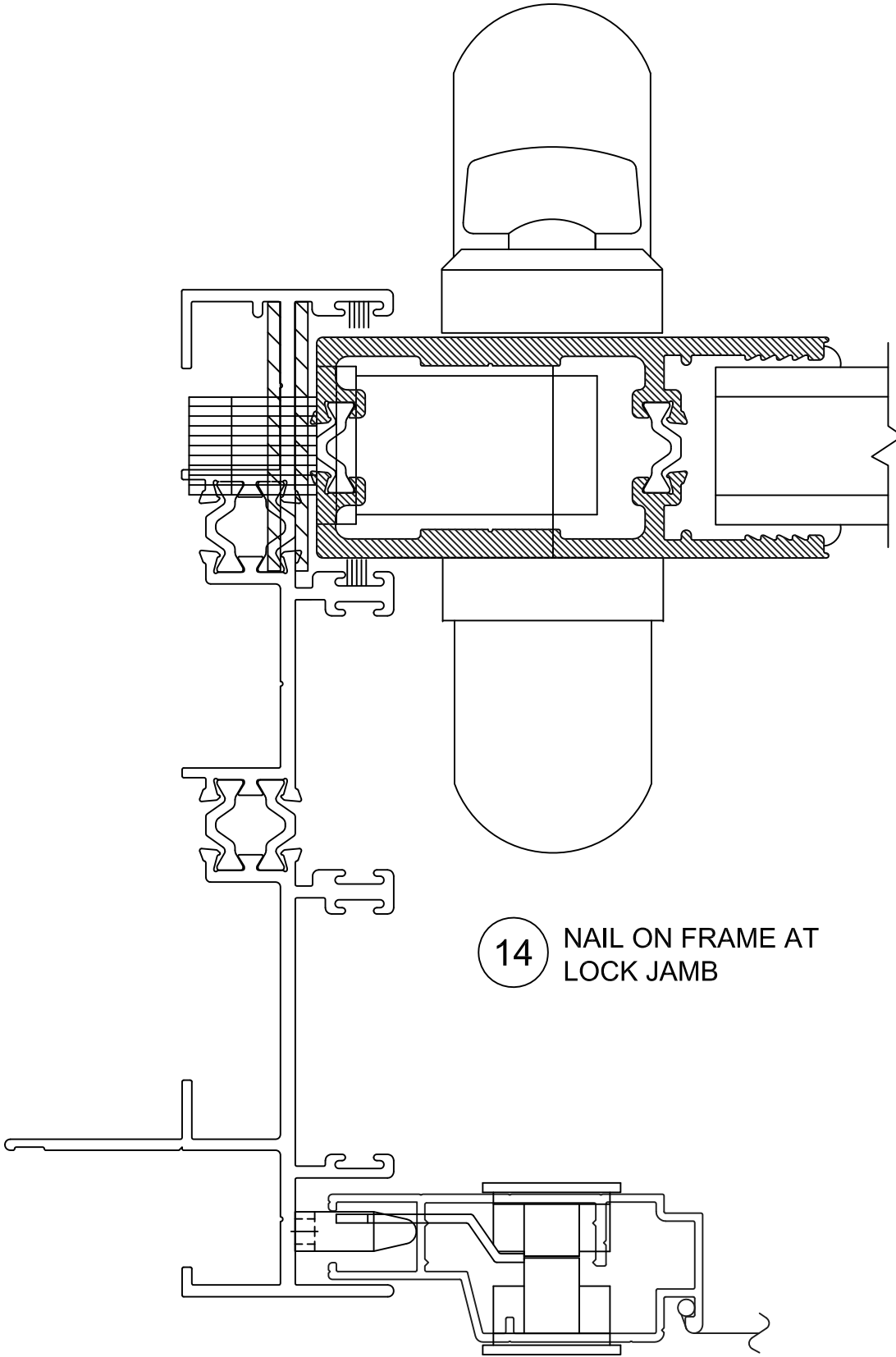
13

SILL



800MS SERIES THERMAL MULTI SLIDE DOOR

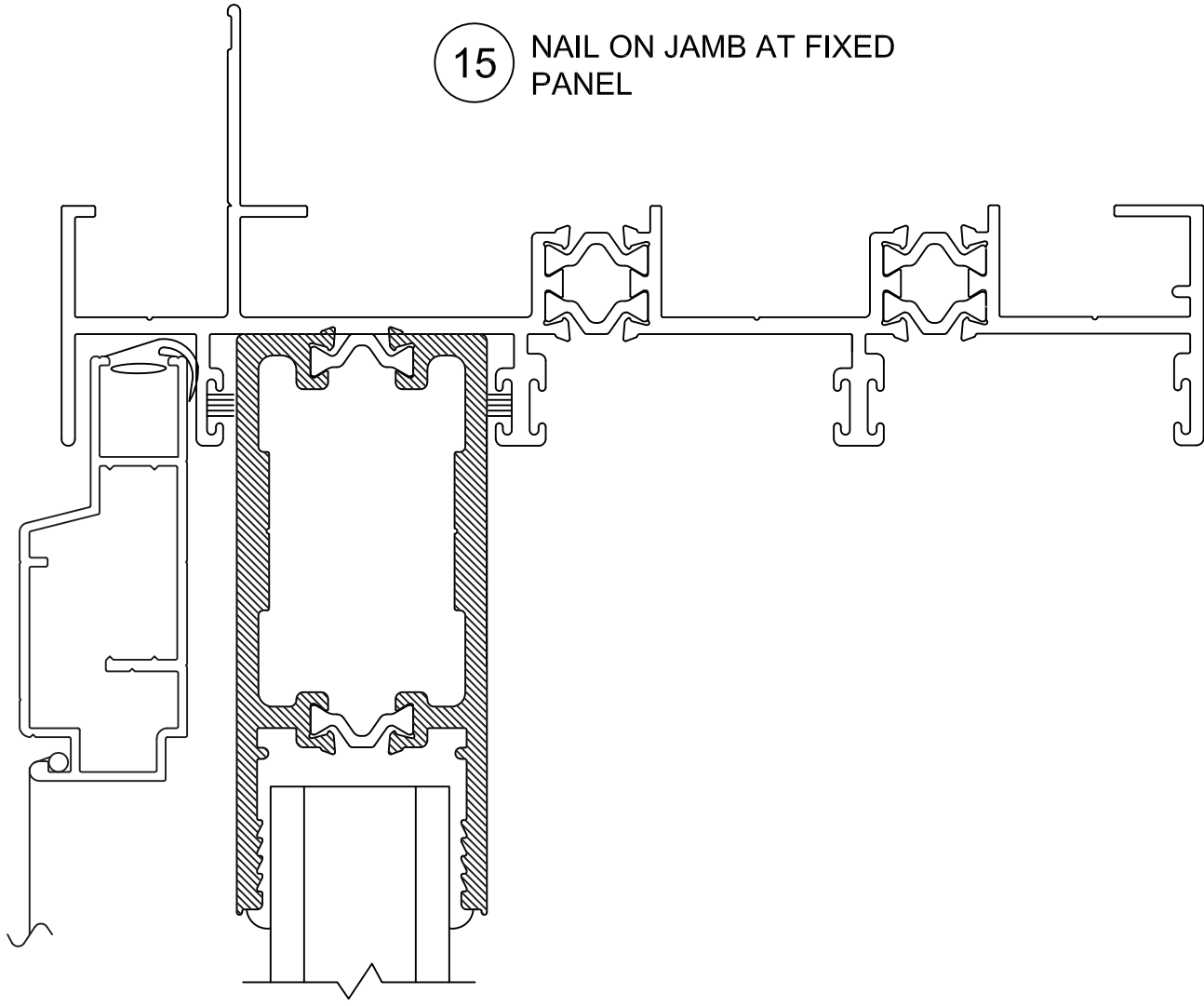
BONELLI
ENTERPRISES



14 NAIL ON FRAME AT
LOCK JAMB

800MS SERIES THERMAL MULTI SLIDE DOOR

BONELLI
ENTERPRISES

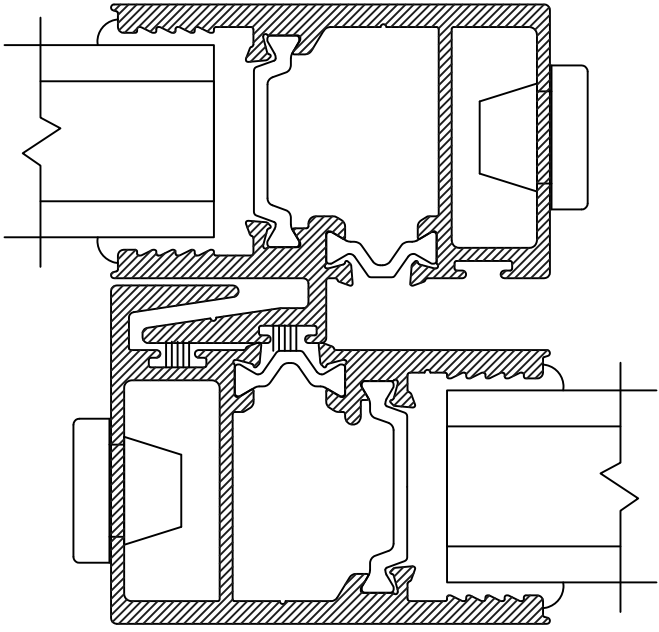


15

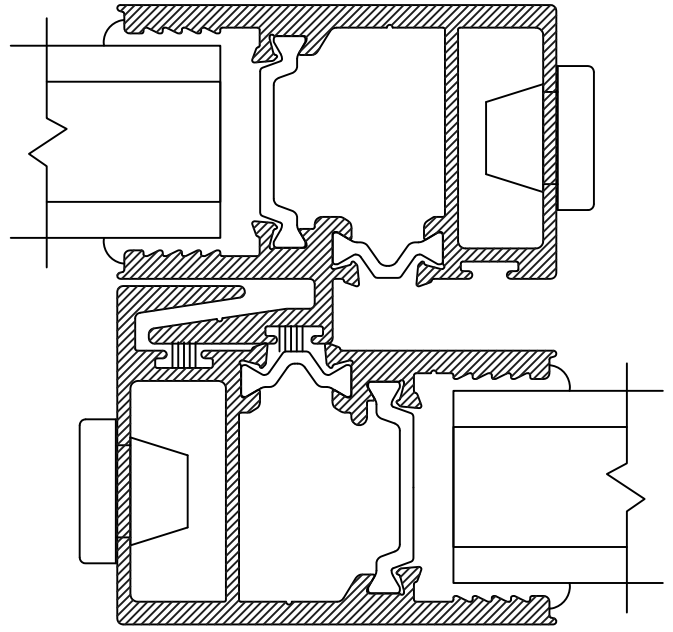
NAIL ON JAMB AT FIXED
PANEL

800MS SERIES THERMAL MULTI SLIDE DOOR

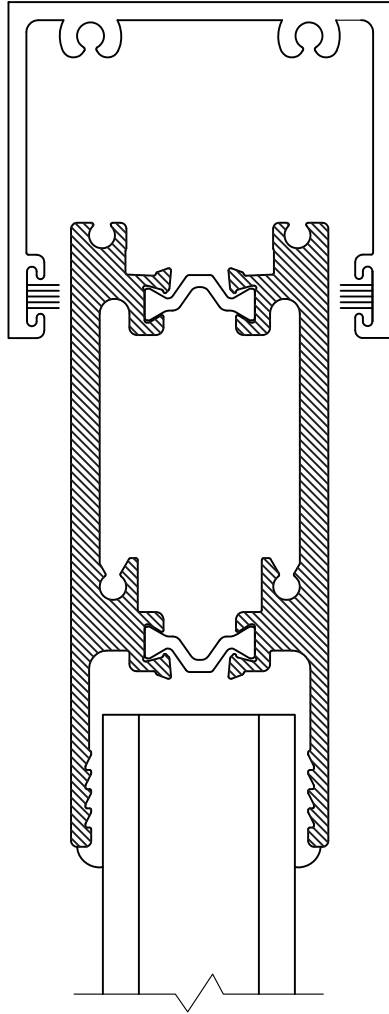
BONELLI
ENTERPRISES



16 INTERLOCKS

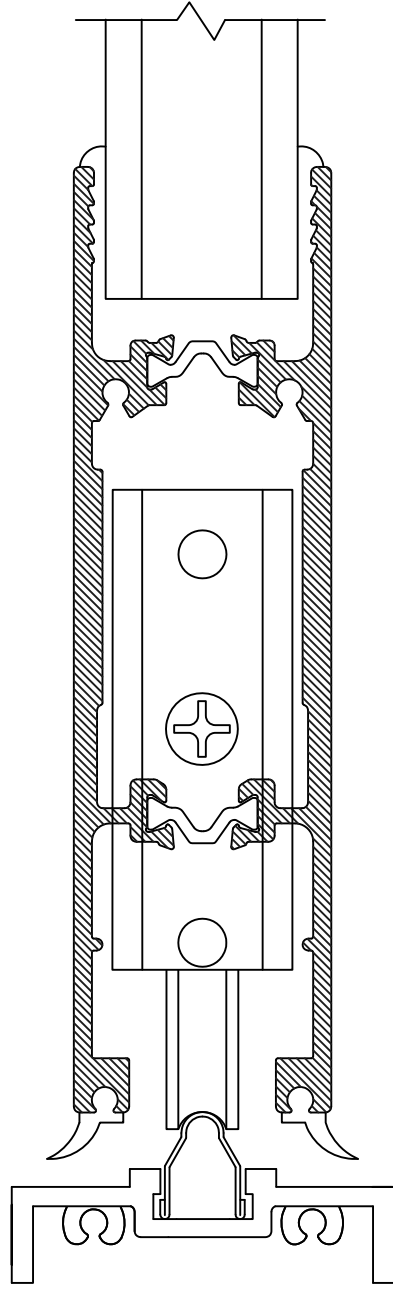


800MS SERIES THERMAL MULTI SLIDE DOOR



17 HEAD/JAMB SIM.

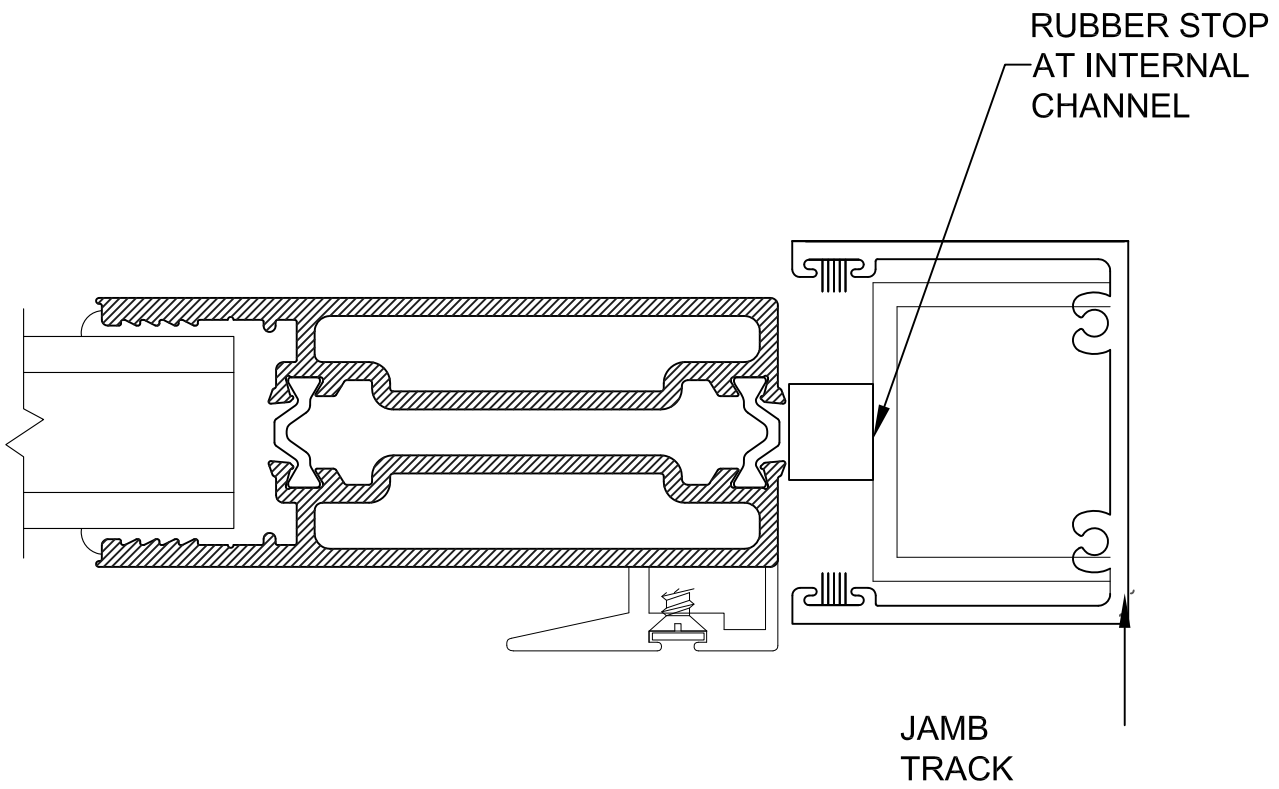
800P SERIES THERMAL POCKET DOOR



18 SILL

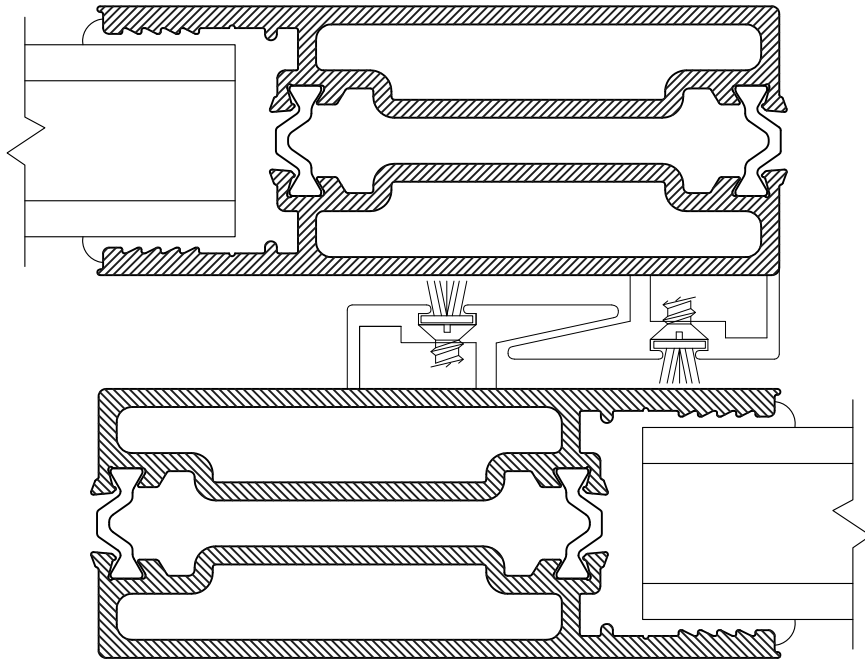
800P SERIES THERMAL POCKET DOOR

BONELLI
ENTERPRISES



19 JAMB

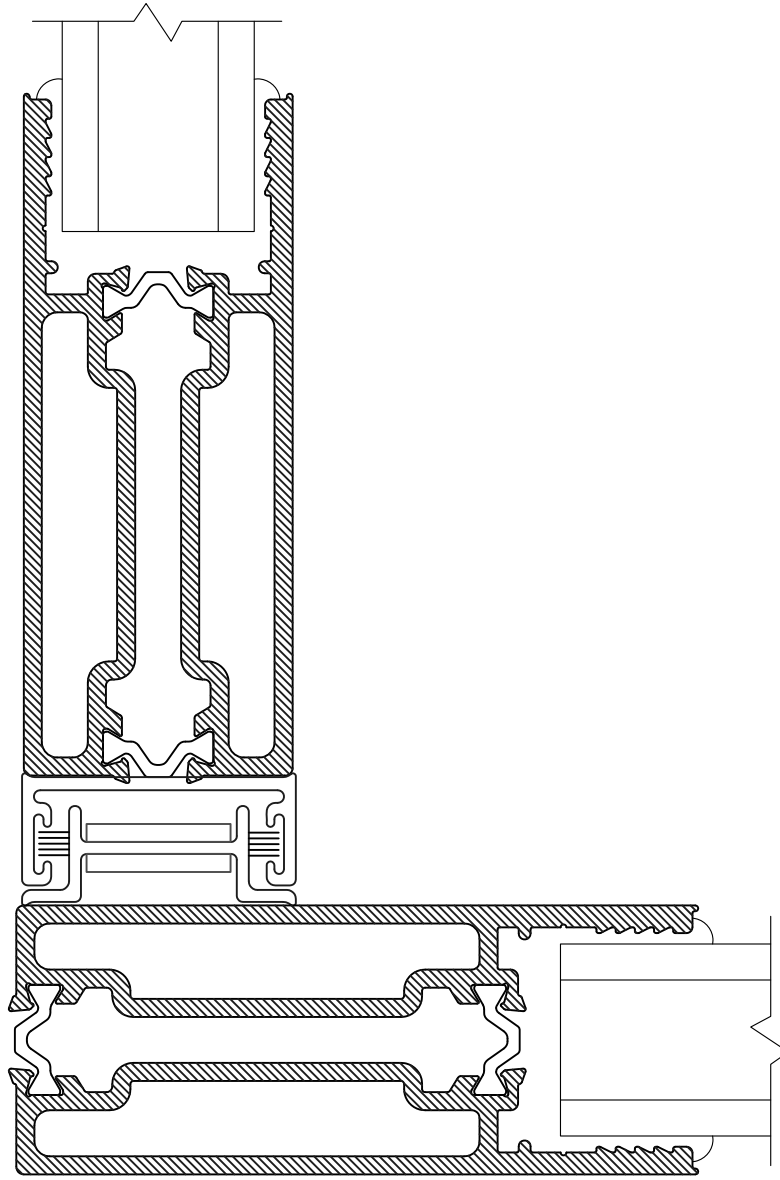
800P SERIES THERMAL POCKET DOOR



20 INTERLOCK

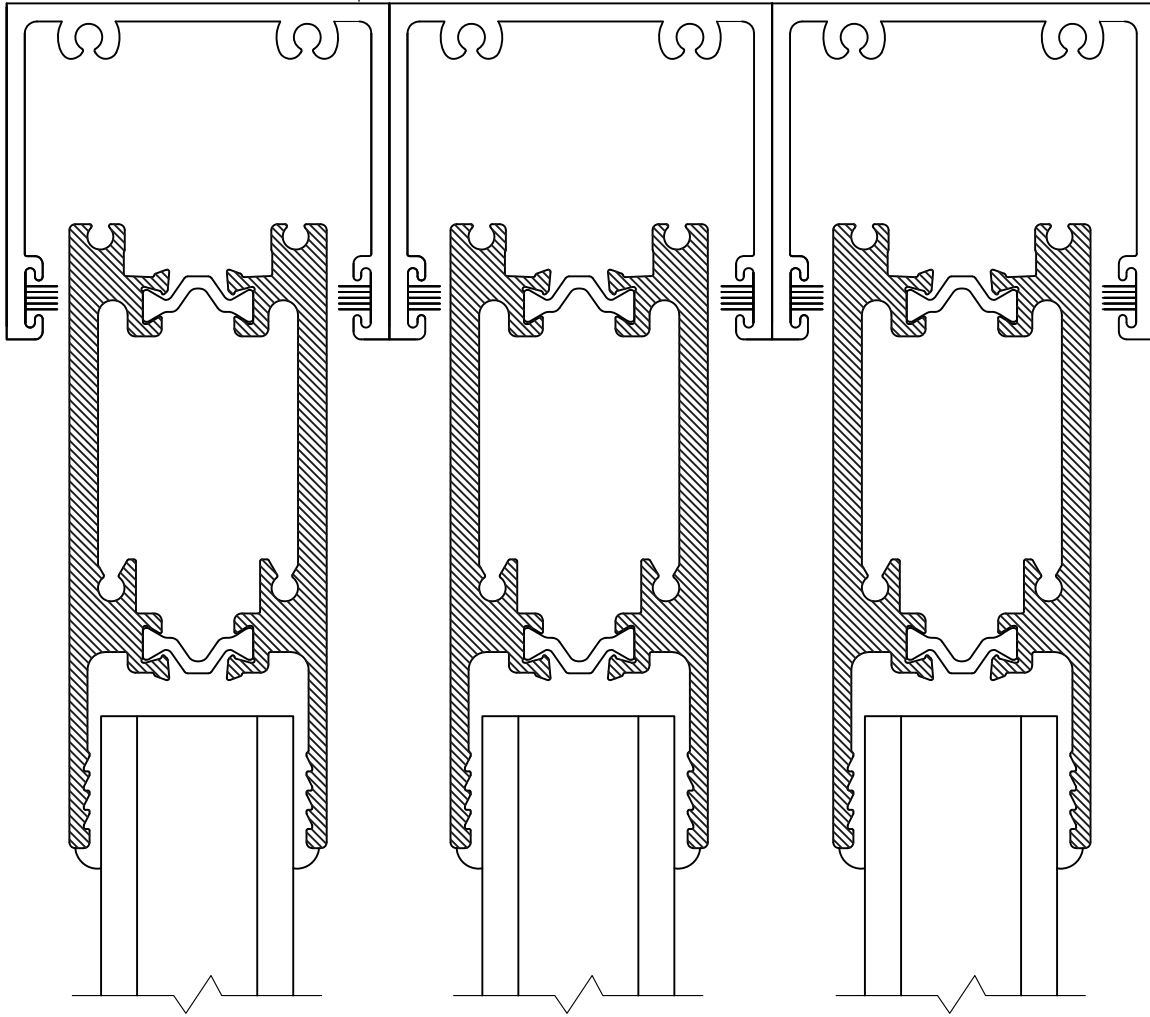
800P SERIES THERMAL POCKET DOOR

BONELLI
ENTERPRISES



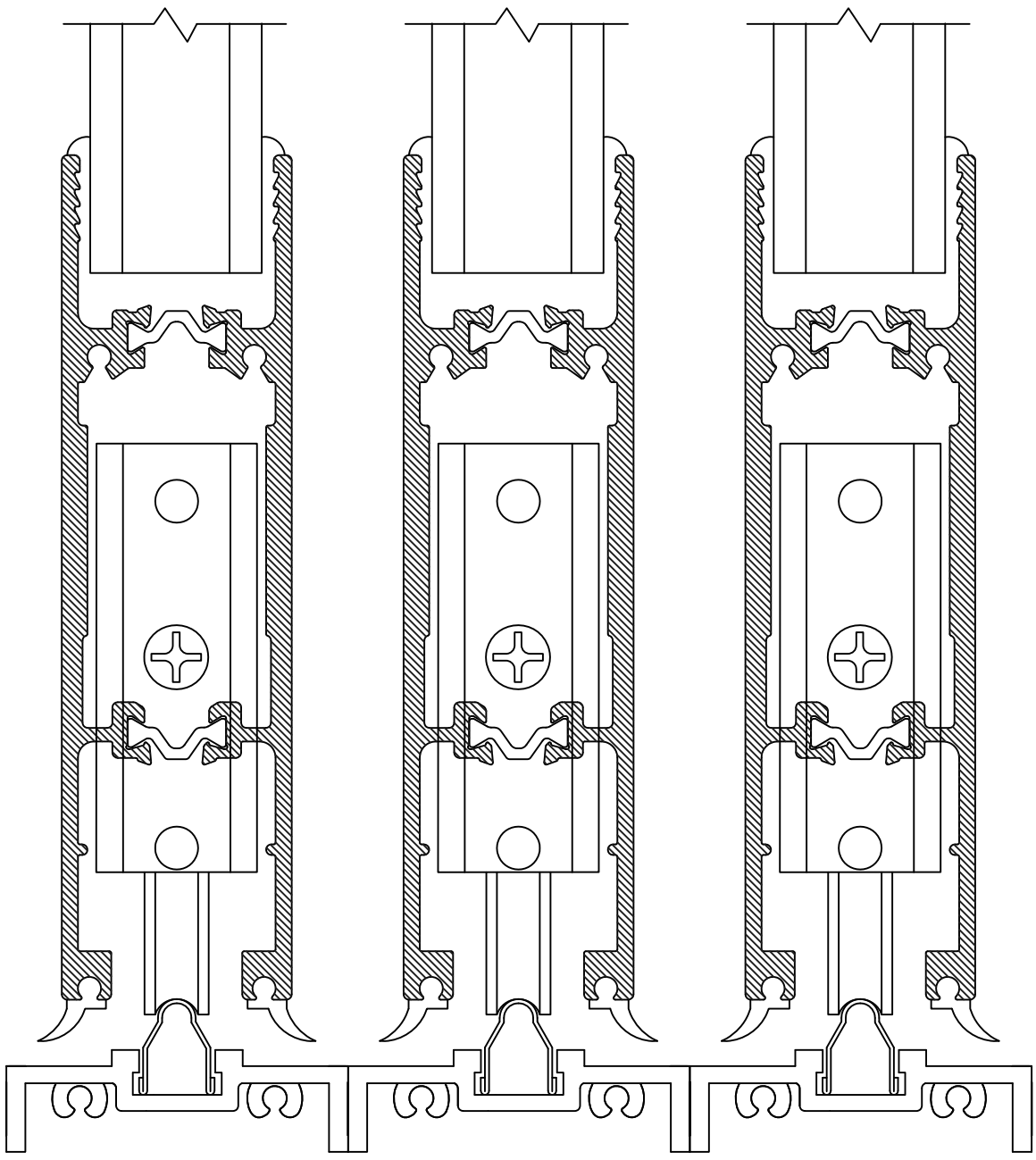
21 LOCK STILE AT OPEN CORNER

800P SERIES THERMAL POCKET DOOR



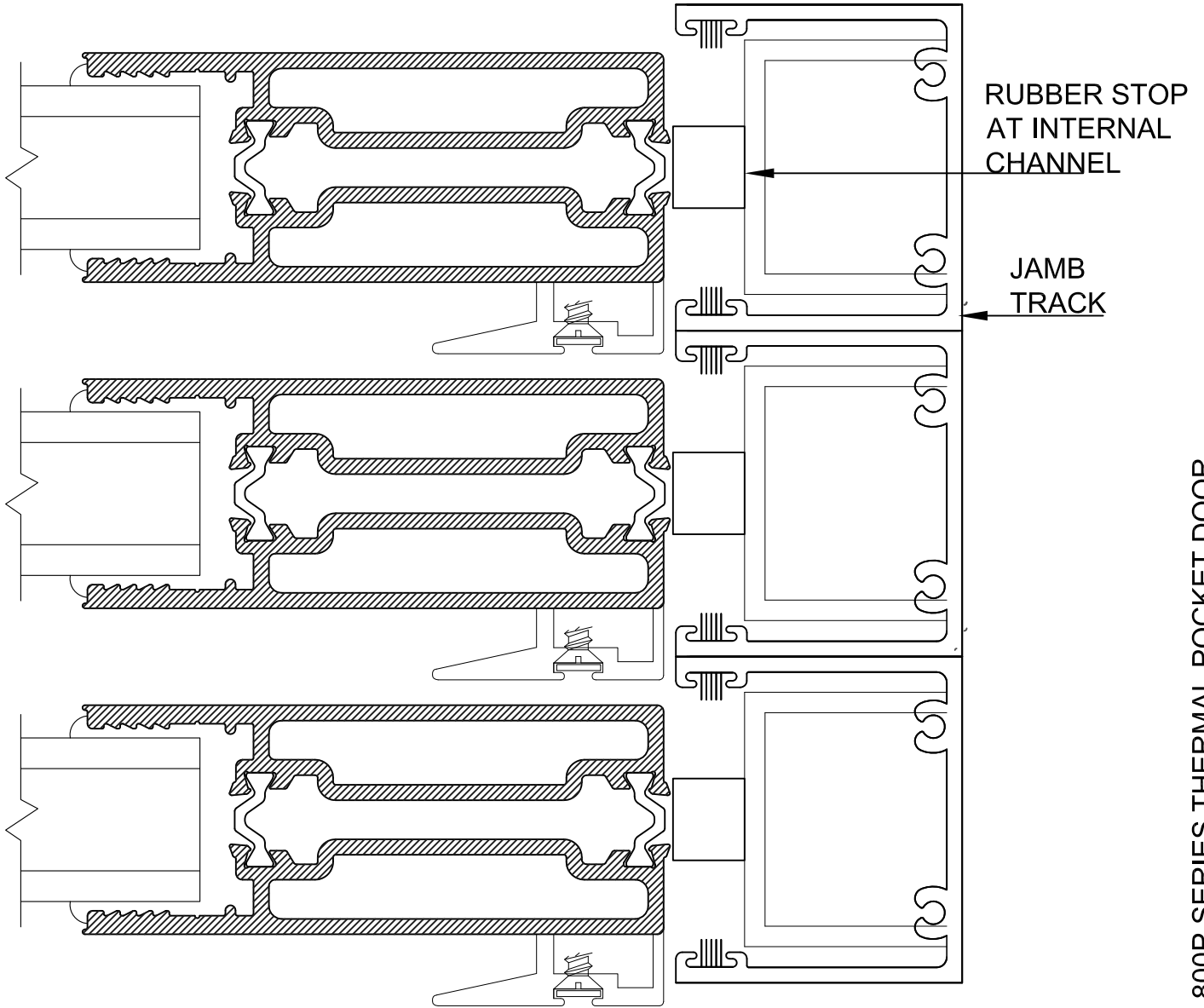
22 HEAD/JAMB SIM. AT MULTI
POCKET DOOR

800P SERIES THERMAL POCKET DOOR



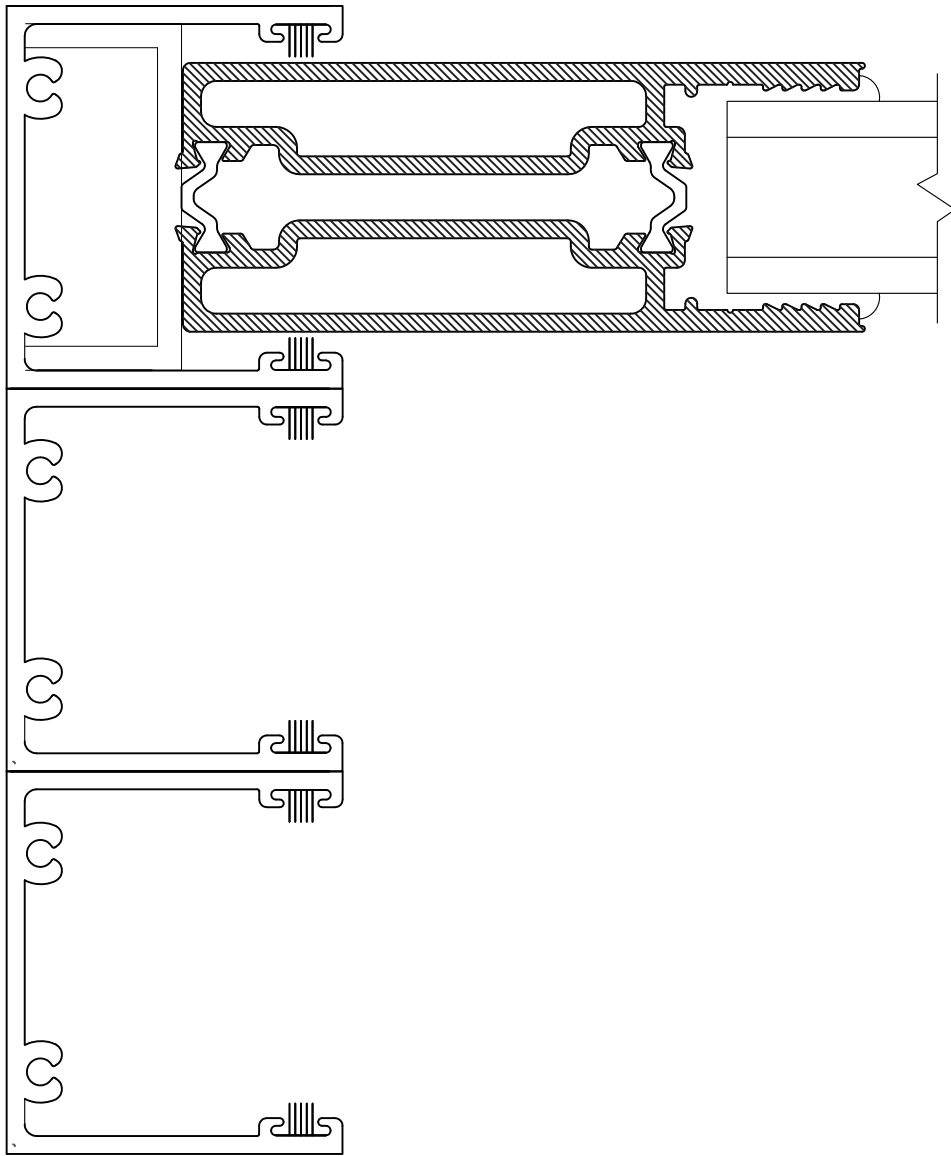
23 SILL TRACK AT
MULTI-POCKET DOOR

800P SERIES THERMAL POCKET DOOR



24 LOCK STILES AT OPEN POSTION

800P SERIES THERMAL POCKET DOOR



25 LOCK STILE AT CLOSED POSITION

800P SERIES THERMAL POCKET DOOR

BONELLI
ENTERPRISES